

BLACKMER PARTS LIST

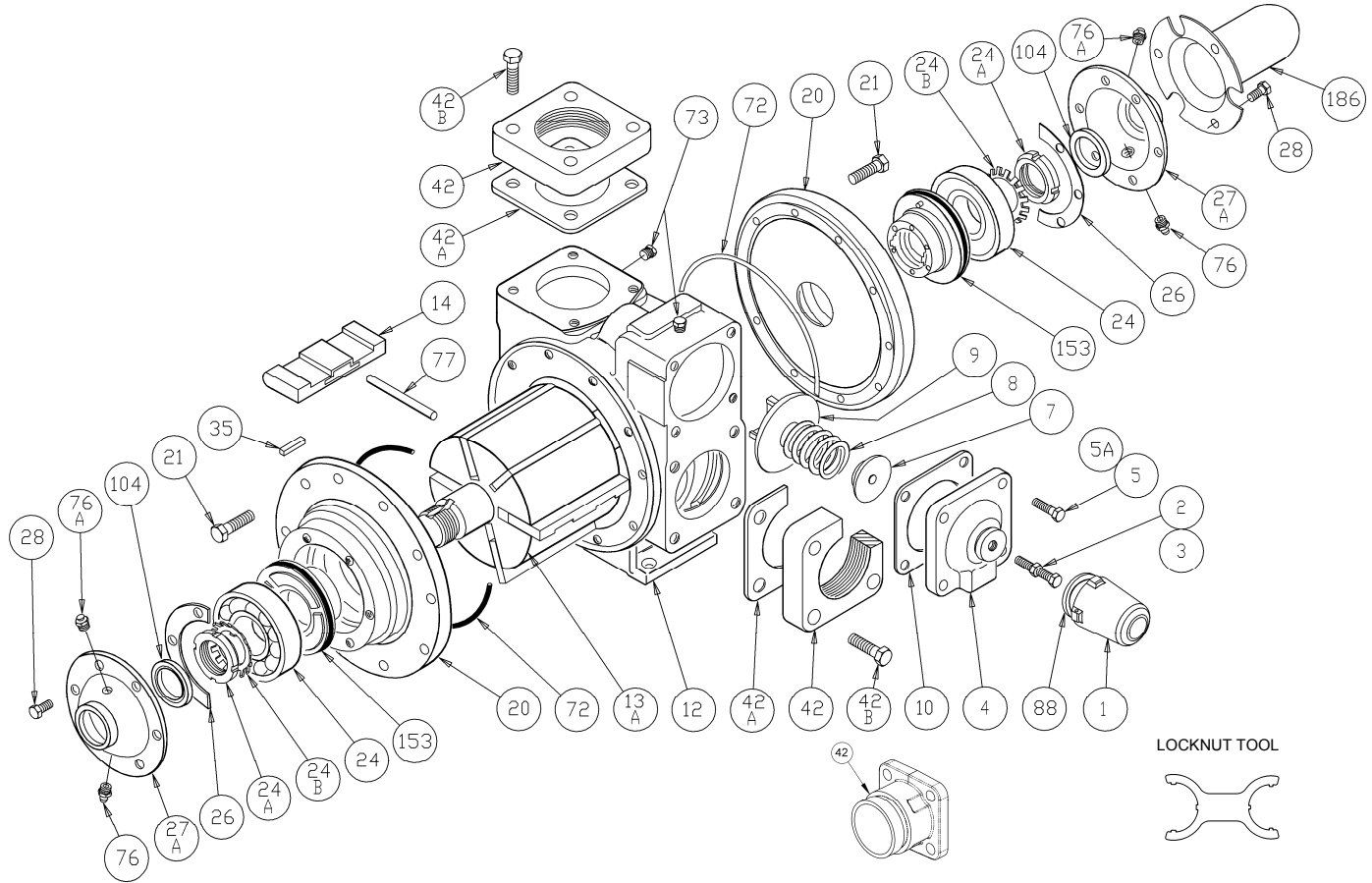
PUMP MODELS: TXD3E (Double Ended Shafts) TX3E (Single Ended Shafts)

Keep with Instructions 201-A00 for Installation, Operation and Maintenance

961815
Page 1 of 2

PARTS LIST
201-A04

Section 201
Effective Jan 2012
Replaces Apr 2009



| Ref. No. | Description | Parts Per Pump | Part No. | Ref. No. | Description | Parts Per Pump | Part No. |
|----------|--|----------------|---------------------|----------|-------------------------------|----------------|---------------------|
| 1 | Cap – Relief Valve (R/V) | 1 | 413957 | 26 | Gasket – Bearing Cover | 2 | ¹ 381817 |
| 2 | Adjusting Screw – R/V | 1 | 431808 | 27A | Bearing Cover | 1 - 2 | 041815 |
| 3 | Locknut – Adjusting Screw | 1 | 922923 | | Bearing Cover - Outboard | 0 – 1 | 041817 |
| 4 | Cover – R/V | 1 | 411807 | 28 | Capscrews – Bearing Cover | 12 | 920285 |
| 5 | Capscrew – R/V Cover | 3 | 920331 | 35 | Key – Shaft | 1 | ¹ 909178 |
| 5A | Capscrew w / Hole – R/V Cover | 1 | 920330 | 42 – | Flanges, Flange Gaskets / | | See |
| 7 | Spring Guide – R/V | 1 | 421805 | 42C | O-rings, and Flange Capscrews | | Backside |
| 8 | Spring – R/V (51-75 & 76-110 psi) (Std.) | 1 | 471806 | | O-Ring - Head (FKM) | 2 | ¹ 711938 |
| | Spring – R/V (111-125 psi) | | 471809 | 72 | O-Ring - Head (Buna-N) | | ¹ 701944 |
| 9 | Valve - R/V ³ | 1 | 451807 | | O-Ring - Head (PTFE) | | 702233 |
| | Valve - R/V (Nickel Plated) | | 451808 | 73 | Gage Plug | 2 | 908198 |
| 10 | Gasket – R/V Cover | 1 | ¹ 531803 | 76 | Grease Fitting | 2 | 317815 |
| 12 | Cylinder | 1 | 021805 | 76A | Grease Relief Fitting | 2 | 701992 |
| 13A | Rotor & Shaft Asy. - Double Ended ² | 1 | 261837 | 77 | Push Rod | 3 | ¹ 121807 |
| | Rotor & Shaft Asy. - Single Ended ² | | 261839 | 88 | Gasket - R/V Cap | 1 | ¹ 533908 |
| 14 | Vane – Duravane | 6 | ¹ 091819 | 104 | Grease Seal | 1 - 2 | ¹ 331908 |
| 20 | Head | 2 | 031815 | 186 | Shaft Protector | 0 - 1 | 341801 |
| 21 | Capscrews – Head | 20 | 920369 | | Air Valve Kit | | 891798 |
| 24 | Ball Bearing | 2 | ¹ 903172 | | Tool - Locknut | | 903091 |
| 24A | Locknut – Bearing | 2 | 903523 | | Maintenance Kit, FKM | | 898958 |
| 24B | Lockwasher - Bearing | 2 | ¹ 903524 | | Maintenance Kit, Buna-N | | 898952 |

¹ Included in Maintenance Kit ² Includes ref. Nos. 24A & 24B

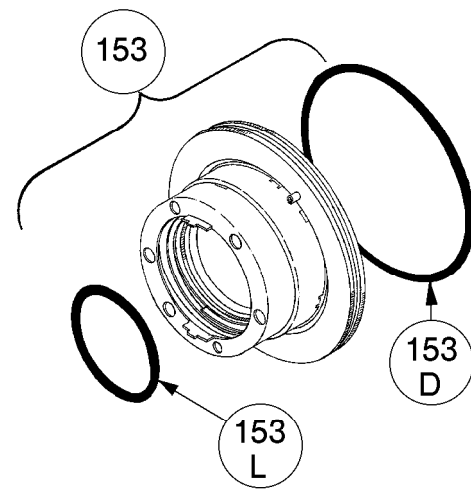
³ For Piston Style Air Operated RV see IOM 201-G00, Diaphragm Air RV – 201-F00, DMX Diaphragm RV – 201B-B00.

MECHANICAL SEALS

| REF. NO. | PART NAME | PARTS PER PUMP | PART NO. |
|----------|---|----------------|----------|
| 153 | Mechanical Seal Complete - Cast Iron Stationary Seat, FKM O-Rings, Carbon Seal Face. (IVCV) | 2 | 1 331883 |
| | Mechanical Seal Complete - Cast Iron Stationary Seat, Carbon Seal Face, Buna-N O-Rings. (INCN) | | 1 331880 |
| | Mechanical Seal Complete - Cast Iron Stationary Seat, PTFE O-Ring, Carbon Seal Face w/ PTFE Seal Ring. (IACT) | | 331873 |
| 153D | O-Ring - Stationary (FKM) | 2 | 711931 |
| | O-Ring - Stationary (Buna-N) | | 701936 |
| | O-Ring - Stationary (PTFE) | | 702080 |
| 153L | O-Ring - Rotating (FKM) | 2 | 701962 |
| | O-Ring - Rotating (Buna-N) | | 711912 |
| | Seal Ring - Rotating (PTFE) | | ** |

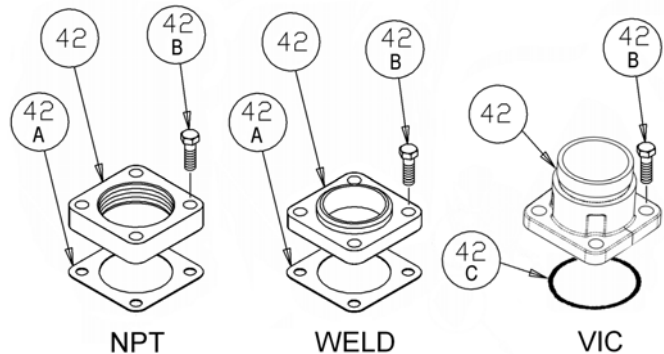
¹ Included in Maintenance Kit

** PTFE Rotating Seal Ring is not available as a separate part.



FLANGES

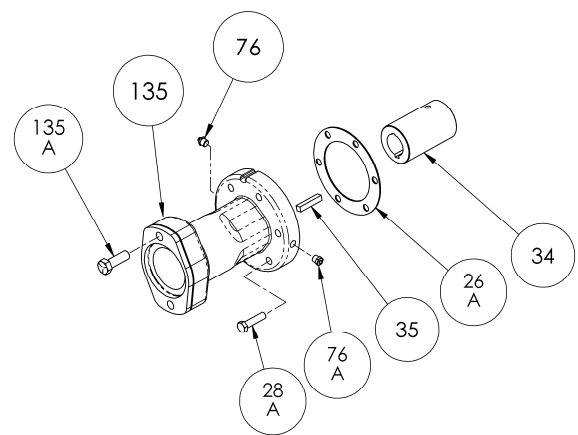
| REF. NO. | PART NAME | PARTS PER PUMP | PART NO. |
|----------|-------------------------------------|----------------|----------|
| 42 | Flange - 3" NPT | 1 - 2 | 651803 |
| | Flange - 3" Weld | | 655102 |
| | Flange - 3" Victaulic | | 655120 |
| 42A | Gasket - Flange, NPT and Weld | 0 - 2 | 1 381816 |
| 42B | Capscrews - NPT Flange | 4 - 8 | 920532 |
| | Capscrews - Weld & Victaulic Flange | | 920510 |
| 42C | O-Ring - Victaulic Flange (Buna-N) | 0 - 2 | 702002 |
| | O-Ring - Victaulic Flange (FKM) | | 711931 |
| | O-Ring - Victaulic Flange (PTFE) | | 702080 |



OPTIONAL HYDRAULIC MOTOR ADAPTER

| REF. NO. | PART NAME | PARTS PER PUMP | PART NO. 1-1/4" Hyd Motor Shaft | PART NO. 1" Hyd Motor Shaft |
|----------|---|----------------|---------------------------------|-----------------------------|
| | Hydraulic Motor Adapter Kit * | | 895140 | 895143 |
| 26A | Gasket - Hydraulic Motor Adapter | 1 | 381817 | 381817 |
| 28A | Capscrew - Hydraulic Motor Adapter / Head | 6 | 920369 | 920369 |
| 34 | Coupling w/ Setscrew - straight key hydraulic motor | 1 | 906967 | 906990 |
| 35 | Key - Coupling | 1 | 909184 | 909184 |
| 76 | Grease Fitting | 1 | 317815 | 317815 |
| 76A | Grease Relief Fitting | 1 | 701992 | 701992 |
| 135 | Hydraulic Motor Adapter - SAE A Flange | 1 | 041831 | 041831 |
| 135A | Capscrew - Adapter / Motor | 2 | 920510 | 920510 |

* Hydraulic Motor Adapters shipped prior to Spring 2002 were a two piece design - refer to page 206-B00.



1809 Century Avenue, Grand Rapids, Michigan 49503-1530, U.S.A.
 Telephone: (616) 241-1611 / Fax: (616) 241-3752
 E-Mail: blackmer@blackmer.com / Internet: www.blackmer.com