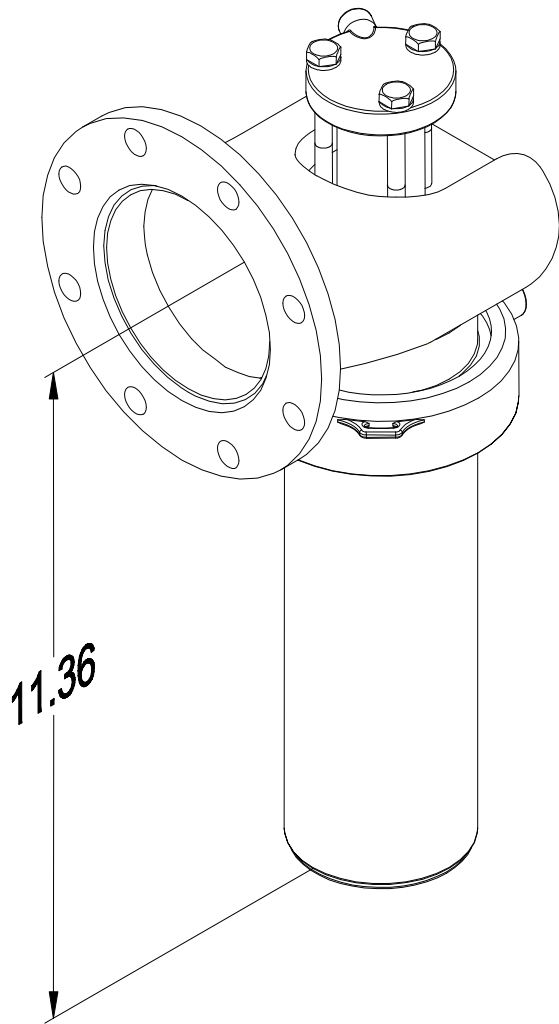


Hydraulic Vapor Valve

3" Valve

- Hydraulically Operated
- 4 sq.in. Through Area
- Seat Extends Through Nozzle
- 316 Stainless Steel



Section D
Stainless Trailer Parts

The Betts Stainless Steel 3" Vapor Recovery Valve is designed for use on chemical tankers requiring vapor recovery. Valve mounts to standard 3" clean out nozzle or 3" TTMA flange and provides 4 sq. in. through area for high venting capacity. Valve seat extends inward beyond the nozzle to minimize chance that product will freeze and prevent the valve from functioning properly.

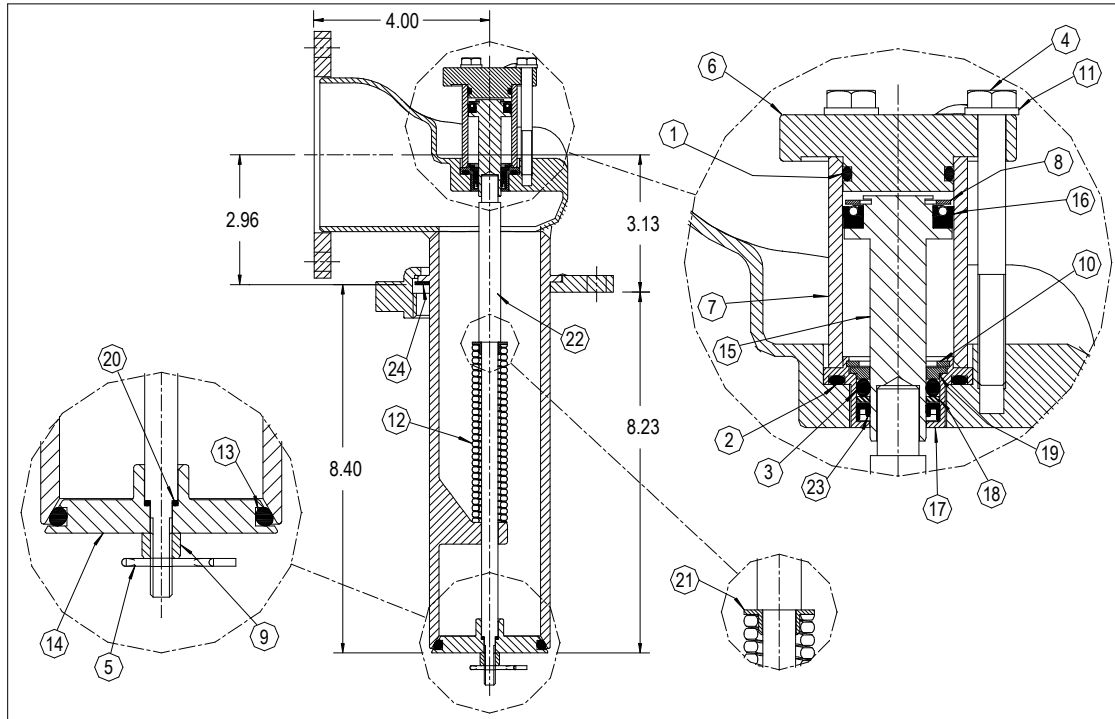
External hydraulic cylinder isolates hydraulic oil from lading in case of hydraulic leak. Body constructed of 316 stainless steel with Tef-Sil o-rings used for all seals exposed to lading.

SIZE	MOUNTING	OUTLET	WT.	ASSEMBLY NO.
3"	3" NPT	3" TTMA	13.2 lb.	CH46553SSTS
3"	3" TTMA	3" TTMA	13.2 lb.	CH46636SSTS

Betts

PARTS LIST

Hydraulic Vapor Valve



NO.	REQ'D	PART NO.	MATERIAL	DESCRIPTION
1	1	16844BN	BUNA-N	O-RING
2	1	19506TS	TEF/SIL	O-RING
3	1	19509TS	TEF/SIL	O-RING
4	3	9Q5963	316SS	1/4 HEX BOLT 2.50 LG. 1/4-28 THRD.
5	1	9Q5866	304SS	COTTER PIN 3/32 x 3/4 - 304SS
6	1	19385SS	316SS	CYL. TOP
7	1	19390SS	316SS	CYL. TUBE
8	1	9Q4935	15-7 Mo SS	E-CLIP - HYD. CYL. (5/8)
9	1	9Q5962	316SS/NYLON	HEX LOCK NUT 1/4-20UNC
10	1	9Q4943	15-7 Mo SS	INT. RET. RING (7/8)
11	3	9Q5844	304SS	LOCK WASHER 1/4 IN. SS
12	1	19511SS	17-7 SS	MAIN SPRING
13	1	19396TS	TEF/SIL	O-RING
14	1	19388SS	316SS	O-RING HOLDER
15	1	19391SS	316SS	PISTON
16	1	18693PM	URETHANE	PISTON SEAL
17	1	19508SS	316SS	SEAL GLAND
18	1	19393TF	TEFLON	SEAL RETAINER
19	1	19395SS	316SS	SEAL RETAINER
20	1	19576GY	GYLON (3545)	SEAL WASHER
21	1	19514SS	316SS	SPRING RETAINER
22	1	19389SS	316SS	STEM
23	1	19510SSTF	316SS/TEF	U-CUP SEAL
24	1	19397TF	TEFLON	MOUNTING SEAL - 3" NPT STYLE ONLY

WARNING Use only genuine Betts Industries Inc. replacement parts. Use of substitute parts can impair the proper functioning of this product.