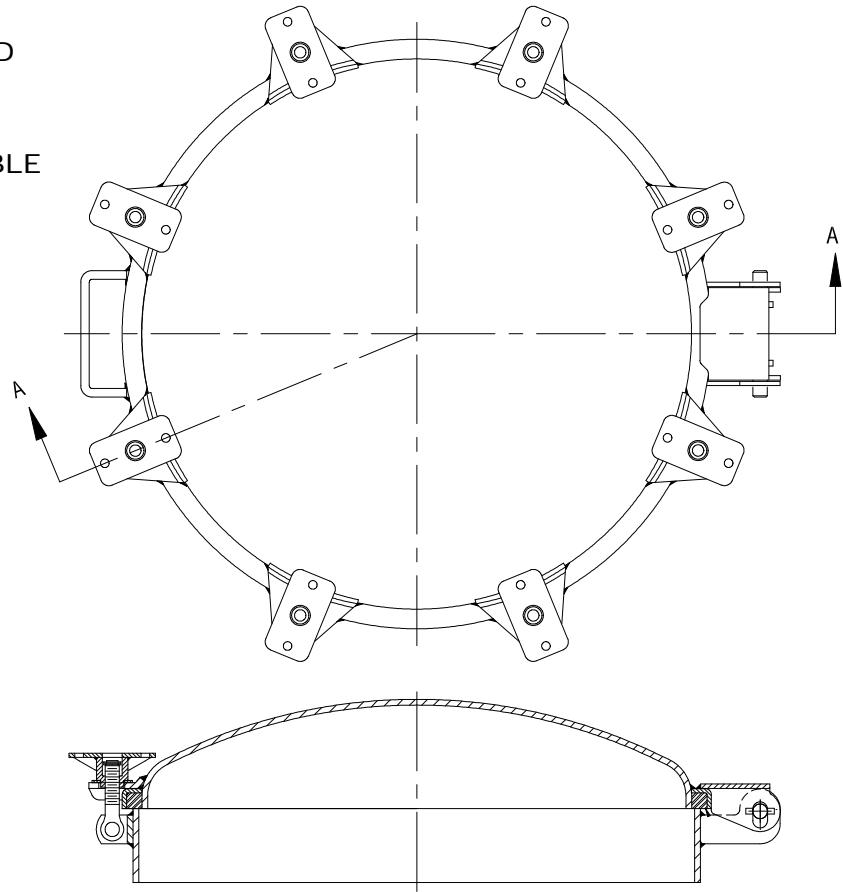




24" (609.6mm) FULL OPENING MANHOLE

ASME TYPE

ASME SYMBOL & DATA PROVIDED
 THREADED HOLD-DOWNS
 6" OR 10" HIGH COLLAR AVAILABLE



Section A-A
 Model 8324

This Tiona 24" Full Opening Manhole conforms to the requirements of the ASME code for pressure vessels Section VIII, Division 1.

| Weld Collar | Cover | Wing-Nut Washer Hinge Pins | Number Hold Downs | *Working Pressure | | Weight | Collar Height | Assembly No. |
|-------------|------------|----------------------------|-------------------|-------------------|---------|-----------------|-----------------|--------------|
| Steel | Steel | Stnls 304 | 8 | 100 PSI | 6.8 BAR | 100LB 45.5Kg | 6" (152.4mm) | 8324SCW-6" |
| Stnls 316L | Stnls 316L | Stnls 304 | | | | | | 8324LCW-6" |
| Steel | Steel | Stnls 304 | 8 | 100 PSI | 6.8 BAR | 125LB 56.9Kg | 10" (254mm) | 8324SCW-10" |
| Stnls 316L | Stnls 316L | Stnls 304 | | | | | | 8324LCW-10" |

Canadian Registration Number OH0344.0123456789

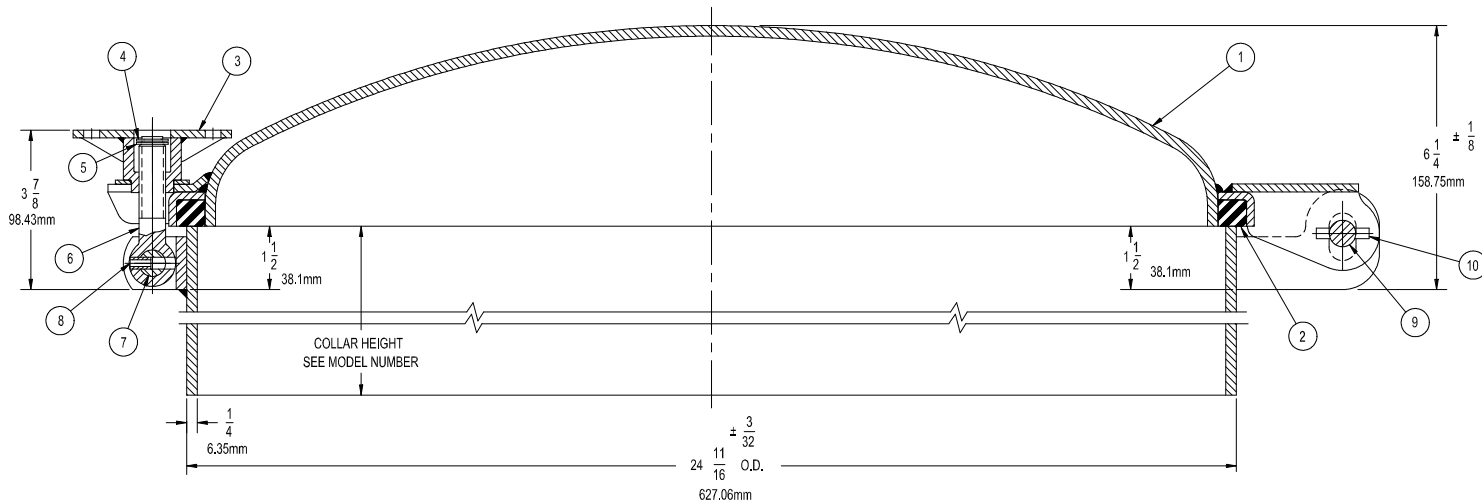
Notes: White Hypalon gasket furnished as standard (reference suffix "W" in assembly number). For other gaskets available, see parts page for correct suffix.

*Tests were conducted and ratings determined with homogeneous gaskets

During installation and welding the collars to the tank, care should be exercised to insure the collars remain flat and round in order to assure proper performance. If necessary a welding fixture should be used to prevent distortion.

PARTS LIST

**24" (609.6mm) FULL OPENING MANHOLE
ASME TYPE**



| No. | Description | Material | Part No. |
|-----|-------------|---|----------|
| 1 | Cover | Steel | 6455FB |
| | | Stnls 316L | 6455LC |
| 2 | Gasket* | B Buna-N | 3907BN |
| | | V Viton | 3907VT |
| | | W White Hypalon | 3907WH |
| | | E White Non-Asbestos with Teflon Suspensoid (Woven) | 3907NT |

| No. | Description | Material | Part No. |
|-----|--------------------|---------------|----------|
| 3 | Wing Nut | Stnls 304 | 3576SL |
| 4 | Snap Ring | Stnls 304 | 9Q4933 |
| 5 | Snap Ring Washer | Stnls 304 | 3575SL |
| 6 | Swing Bolt | Stnls 17/4 PH | 4102SF |
| 7 | Swing Bolt Pin | Stnls 304 | 3086SL |
| 8 | Roll Pin-Swg Bolt | Stnls 304 | 9Q8593 |
| 9 | Hinge Pin | Stnls 304 | 3818SL |
| 10 | Roll Pin-Hinge Pin | Stnls 304 | 9Q8594 |

***Gasket Maximum Temperature**

| | |
|---|-------|
| Buna-N (Nitrile) | 250°F |
| Viton | 400°F |
| White Hypalon | 250°F |
| White Non-Asbestos with Teflon Suspensoid | 500°F |

GASKETS:

Check the condition of all gaskets and replace if their effectiveness as a seal is impaired in any way. Replacement gaskets must be compatible with products carried.

MAINTENANCE:

Manhole assembly should be inspected with sufficient frequency and with due regard to the products carried to insure a liquid tight closure. Any worn, damaged, or missing parts must be replaced.

WING NUTS AND SWING BOLTS:

All swing bolt and wing nut assemblies must be secured to the cover and tightened to insure the pressure and product retention performance of the manhole assembly.

WARNING Use only genuine Betts Industries Inc. replacement parts. Use of substitute parts can impair the proper functioning of this product.