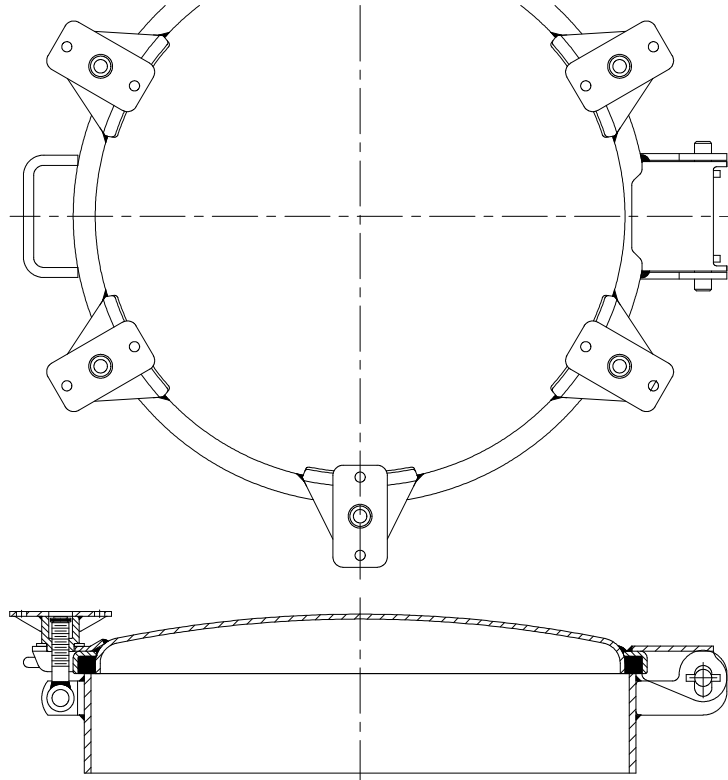




20" (508mm) FULL OPENING MANHOLE

THREADED HOLD-DOWNS
 HEAVY DUTY HINGES
 4", 6", 10" HIGH COLLAR AVAILABLE



Model 8310

Tiona 20" Full Opening Manholes are fabricated for greater strength and less weight. Full 20 inch opening assures safe entrance for inspection or cleaning of tank. Extra heavy hinge pins and threaded swing bolts provide longer life and less maintenance.

| Weld Collar | Cover | Wing-Nut, Swing Bolts Hinge Pins | Number Hold Downs | *Working Pressure | Weight | Collar Height | Assembly No. |
|-------------|------------|----------------------------------|-------------------|-------------------|---------|-----------------|--------------|
| Aluminum | Steel | Stnls 304 | 6 | 43.5 PSI 3 BAR | 47LB | 4" (101.6mm) | 8310ASW-4" |
| Aluminum | Stnls 316L | Stnls 304 | | | 21.4Kg | | 8310ALW-4" |
| Steel | Steel | Stnls 304 | | | 58LB | | 8310SCW-4" |
| Stnls 316L | Stnls 316L | Stnls 304 | | | 26.4Kg | | 8310LCW-4" |
| Aluminum | Steel | Stnls 304 | 6 | 43.5 PSI 3 BAR | 50LB | 6" (152.4mm) | 8310ASW-6" |
| Aluminum | Stnls 316L | Stnls 304 | | | 22.7Kg | | 8310ALW-6" |
| Steel | Steel | Stnls 304 | | | 68LB | | 8310SCW-6" |
| Stnls 316L | Stnls 316L | Stnls 304 | | | 30.9Kg | | 8310LCW-6" |
| Aluminum | Steel | Stnls 304 | 6 | 43.5 PSI 3 BAR | 56LB | 10" (254mm) | 8310ASW-10" |
| Aluminum | Stnls 316L | Stnls 304 | | | 25.5Kg | | 8310ALW-10" |
| Steel | Steel | Stnls 304 | | | 86LB | | 8310SCW-10" |
| Stnls 316L | Stnls 316L | Stnls 304 | | | 36.28Kg | | 8310LCW-10" |

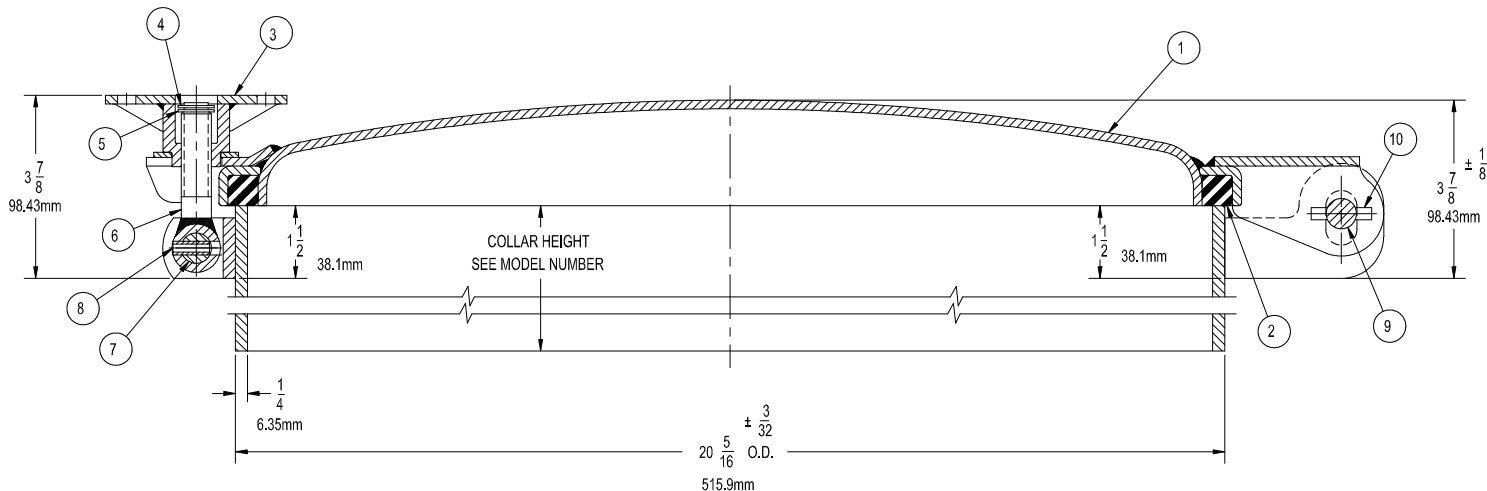
Notes: White Hypalon gasket furnished as standard (reference suffix "W" in assembly number). For other gaskets available, see parts page for correct suffix.

*Tests were conducted and ratings determined with homogeneous gaskets

During installation and welding the collars to the tank, care should be exercised to insure the collars remain flat and round in order to assure proper performance. If necessary a welding fixture should be used to prevent distortion.

PARTS LIST

20" (508mm) FULL OPENING MANHOLE



| No. | Description | Material | Part No. |
|-----|-------------|---|----------|
| 1 | Cover | Steel | 6381MS |
| | | Stnls 316L | 6381LC |
| 2 | Gasket* | B Buna-N | 3513BN |
| | | V Viton | 3513VT |
| | | W White Hypalon | 3513WH |
| | | E White Non-Asbestos with Teflon Suspensoid (Woven) | 3513NT |

| No. | Description | Material | Part No. |
|-----|--------------------|-----------|----------|
| 3 | Wing Nut | Stnls 304 | 3576SL |
| 4 | Snap Ring | Stnls 304 | 9Q4933 |
| 5 | Snap Ring Washer | Stnls 304 | 3575SL |
| 6 | Swing Bolt | Stnls 304 | 3765SL |
| 7 | Swing Bolt Pin | Stnls 304 | 3086SL |
| 8 | Roll Pin-Swg Bolt | Stnls 304 | 9Q8593 |
| 9 | Hinge Pin | Stnls 304 | 3618SL |
| 10 | Roll Pin-Hinge Pin | Stnls 304 | 9Q8594 |

*Gasket Maximum Temperature

- Buna-N (Nitrile) _____ 250°F
- Viton _____ 400°F
- White Hypalon _____ 250°F
- White Non-Asbestos _____ 500°F
- with Teflon Suspensoid

GASKETS:

Check the condition of all gaskets and replace if their effectiveness as a seal is impaired in any way. Replacement gaskets must be compatible with products carried.

MAINTENANCE:

Manhole assembly should be inspected with sufficient frequency and with due regard to the products carried to insure a liquid tight closure. Any worn, damaged, or missing parts must be replaced.

WING NUTS AND SWING BOLTS:

All swing bolt and wing nut assemblies must be secured to the cover and tightened to insure the pressure and product retention performance of the manhole assembly.

WARNING Use only genuine Betts Industries Inc. replacement parts. Use of substitute parts can impair the proper functioning of this product.