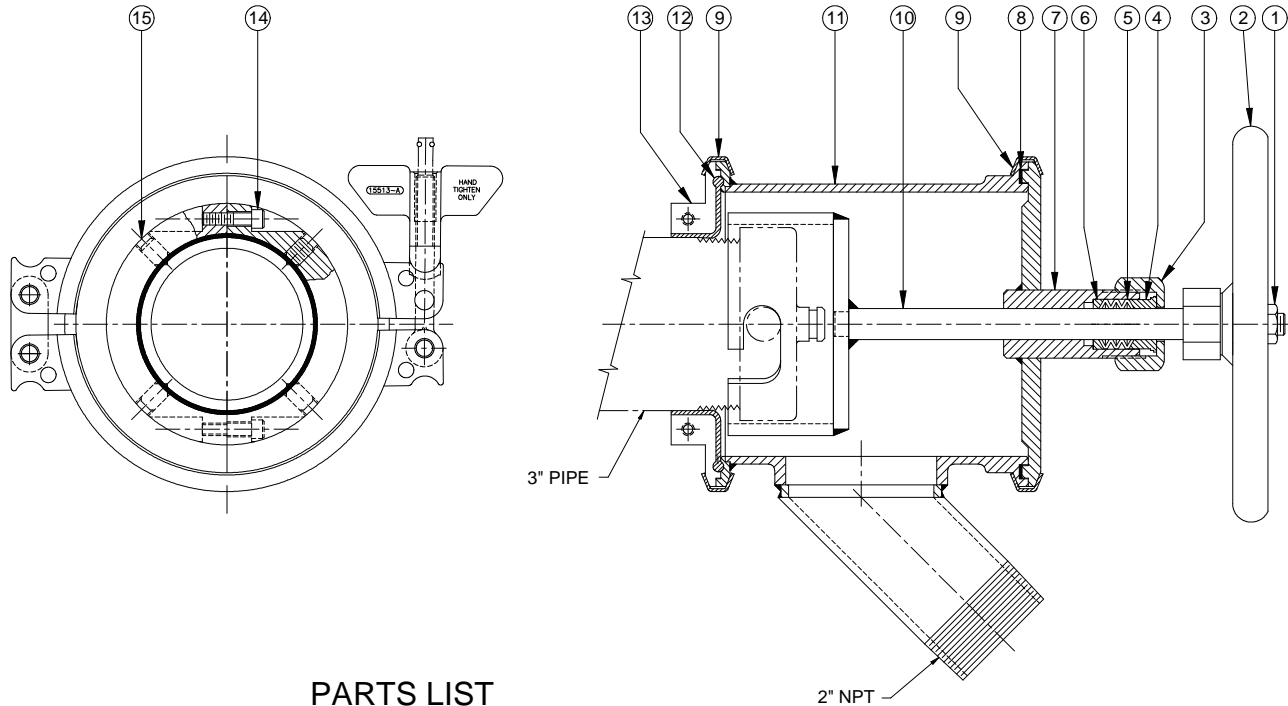


Emergency Unloading Fixture

Assembly No. EM46443SS

This fixture is designed to make possible the emergency unloading of an overturned tank through a copper 3" NPT clean-out without spillage of product. After clamping on the unloading fixture as described in the operational instruction sheet, clean-out cap can be removed within the fixture and with proper discharge lines hooked up unload product down to the level of the clean-out.



PARTS LIST

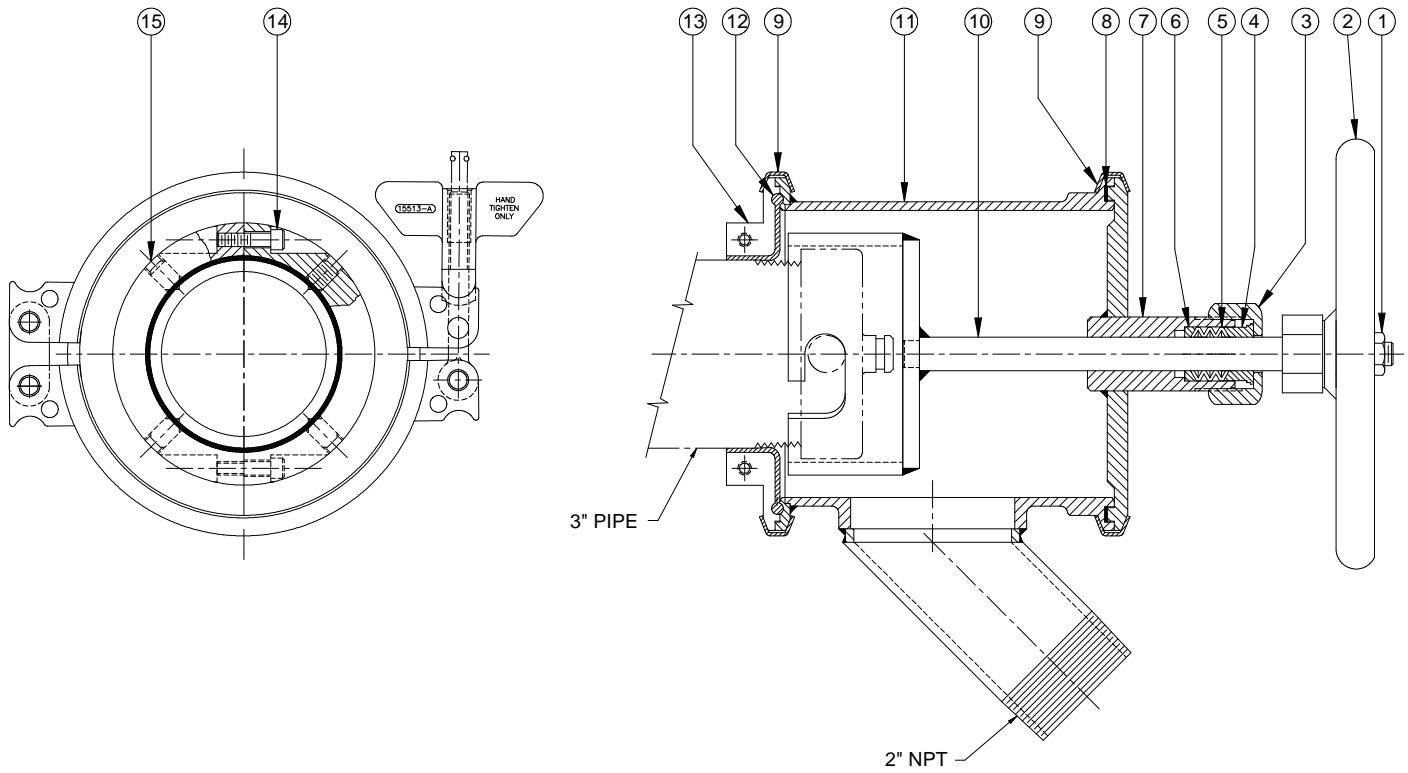
No.	Description	Req.	Material	Part No.
* 1	Nut-Handwheel	1	Steel Zinc Plt.	9Q5811
* 2	Handwheel	1	Aluminum	27423AL
* 3	Stuffing Box	1	Stainless	15026SL
* 4	Top Gland	1	Stainless	15220SS
* 5	Teflon Packing	1	Teflon	19649TF
* 6	Bottom Gland	1	Stainless	15076SS
* 7	Tophead & Bonnet	1	Stainless	19164SS
8	Tophead Gasket	1	Teflon	15977TF
9	Q.R.B. Clamp Assembly	1	Stainless	25683SL
* 10	Stem & Adapter Assembly	1	Stainless	27941SS
11	Body Assembly	1	Stainless	35342SS
12	Gasket	1	Viton	19111VT
13	Clamp	1		27376SS
** 14	1/4-20 x 1" Lg. S.H.C.S.	2	Steel	9Q5935
15	3/8-16 x 5/8 Lg. Socket Set Screw	4	Steel	9Q5936
** 16	Hex T-Handle Wrench	1	Steel	9Z3057

* Included w/ Part No. 35368SS

** Included w/ Item 13 Clamp

WARNING Use only genuine Betts Industries Inc. replacement parts. Use of substitute parts can impair the proper functioning of the Fixture.

Emergency Unloading Fixture



No.	Description	Req.	Material	Part No.
* 1	Nut-Handwheel	1	Steel Zinc Plt.	9Q5811
* 2	Handwheel	1	Aluminum	27423AL
* 3	Stuffing Box Nut	1	Stainless	15026SL
* 4	Top Gland	1	Stainless	15220SS
* 5	Teflon Packing	1	Teflon	19649TF
* 6	Bottom Gland	1	Stainless	15076SS
* 7	Tophead & Bonnet	1	Stainless	19164SS
8	Tophead Gasket	1	Teflon	15977TF
9	Q.R.B. Clamp Assembly	1	Stainless	25683SL
* 10	Stem & Adapter Assembly	1	Stainless	27419SS
11	Body Assembly	1	Stainless	35342SS
12	Gasket	1	Viton	19111VT
13	Clamp	1	Stainless	27376SS
** 14	1/4 -20unc-2Ax1"Lg. S.H.C.S.	2	Steel	9Q5935
15	3/8 -16unc-2Ax.63Lg. Socket Set Screw	4	Steel	9Q5936
** 16	Hex T-Handle Wrench	1	Steel	9Z3057

* Included w/ Part No. 35368SS

** Included w/ Item 13 Clamp

WARNING Use only genuine Betts Industries Inc. replacement parts. Use of substitute parts can impair the proper functioning of the fixture.