

Thermometers/Thermowells/Rupture Discs



Thermowells

Type TW.TH

Thermometers

Application

Thermowells for temperature instruments are recommended for all process systems where pressure, velocity or viscous, abrasive and corrosive materials are present individually or in combination. A properly selected thermowell will protect the temperature instrument from possible damage resulting from these process variables. Furthermore, a thermowell permits removal of the temperature instrument for replacement, repair or testing without effecting the process media or the system.

Standard Features

Process Connections

Threaded

Instrument Connection

1/2" NPSM Standard

Shank Configurations

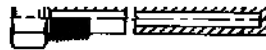
Stepped, straight, tapered

Bore Diameter

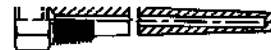
.260", .385"

Materials

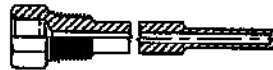
Brass, AISI 304, AISI 316
(other materials available upon request)



Straight Configuration



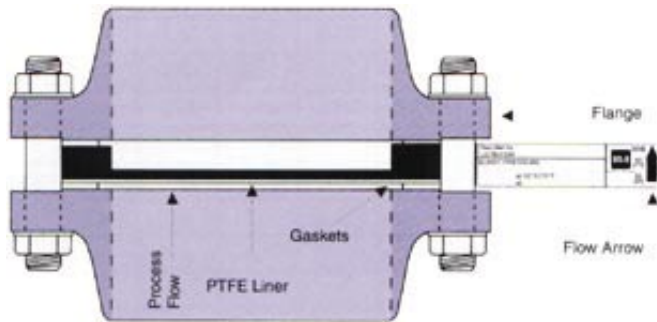
Tapered Configuration



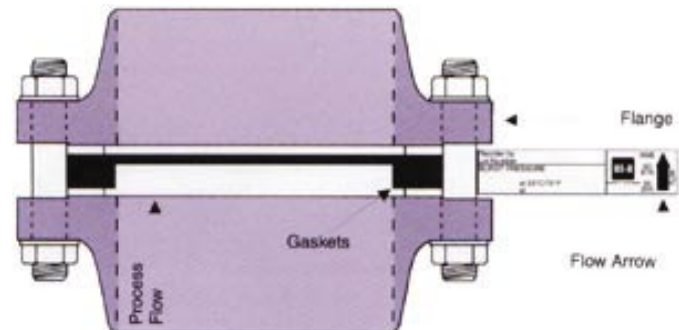
Stepped Configuration

Rupture Discs

Teflon lined 2-4" various pressures



Graphite 2-4" various pressures



Tanksert:

Stainless steel rupture disc

40-45psi and 50-57psi