

**GENUINE**

# ROPER REBUILD KIT



## STANDARD KIT INCLUDES:

**Retaining Ring**  
**Bronze Bushings (3 long & 1 short)**  
**PTFE/Graphite Packing**  
**Relief Valve Adjusting Screw**  
**Relief Valve Gasket**  
**Relief Valve Spring**

**Left Hand Gear**  
**Ball Bearing**  
**Flange Gaskets**  
**Drive Shaft**  
**Relief Valve Nut**  
**Keys**

**Right Hand Gear**  
**Case Gaskets (3)**  
**Spring Clip**  
**Gland Clip**  
**Idler Shaft**

## OPTIONS AVAILABLE:

**Hi Pressure RV Spring**  
**SST Shafts**

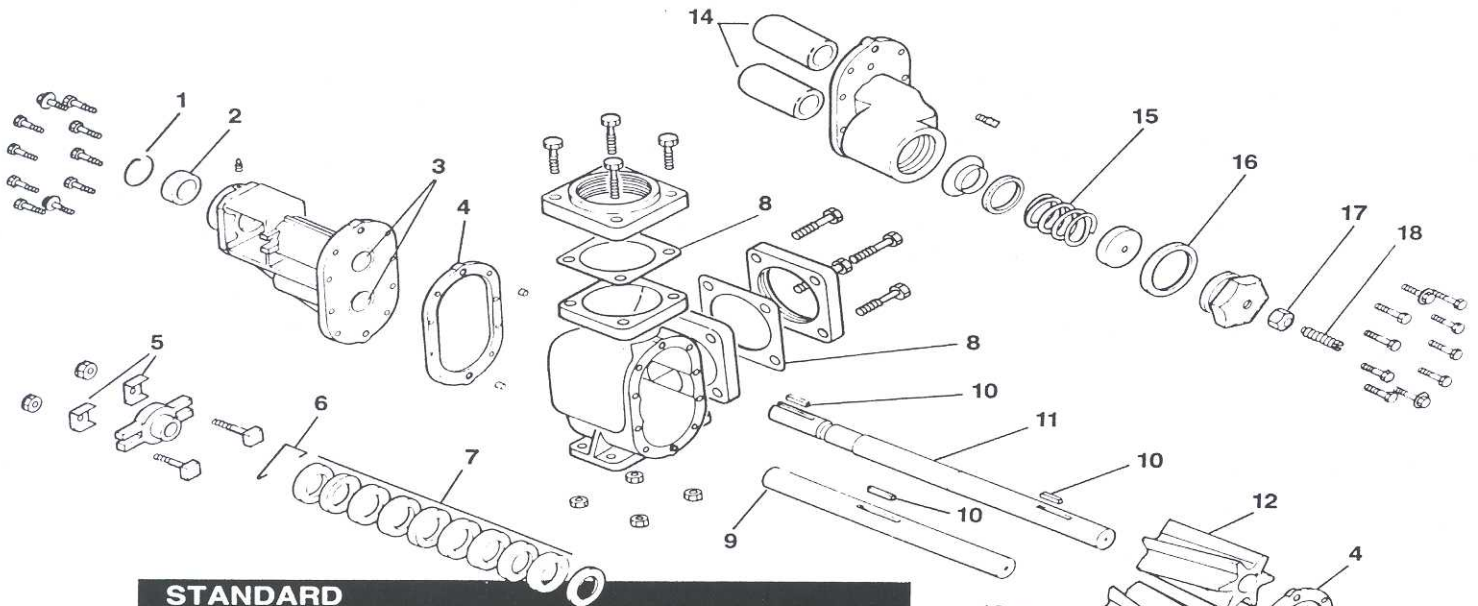
**Carbon Bushings**  
**PTFE Bushings**

**Iron Bushings**





The leading force behind liquids.



**STANDARD FITTED KITS INCLUDE THE FOLLOWING:**

- |                                       |                                  |
|---------------------------------------|----------------------------------|
| 1. Retaining Ring                     | 10. Keys                         |
| 2. Ball Bearing                       | 11. Drive Shaft                  |
| 3. Bronze Bushings (1 long & 1 short) | 12. Left Hand Gear               |
| 4. Case Gaskets                       | 13. Right Hand Gear              |
| 5. Gland Clip                         | 14. Bronze Bushings (2 long)     |
| 6. Spring Clip                        | 15. Relief Valve Spring          |
| 7. PTFE/Graphite Packing              | 16. Relief Valve Gasket          |
| 8. Flange Gaskets                     | 17. Relief Valve Nut             |
| 9. Idler Shaft                        | 18. Relief Valve Adjusting Screw |

**OPTIONS AVAILABLE**

- Carbon Bushings
- Iron Bushings
- PTFE Bushings
- Hi Pressure Relief Valve Spring
- SST Shafts

Pump Model	Standard Fitted Kit Number	Carbon Bushings	Iron Bushings	PTFE Bushings	Hi Pressure RV Spring	Stainless Steel Shafts
3611	N44-188	N44-189	N44-190	N44-191	N44-196	N44-192
3617	N44-172	N44-173	N44-174	N44-175	N44-180	N44-176
3622	N44-133	N44-134	N44-135	N44-136	N44-141	N44-137
3648	N44-149	N44-150	N44-151	N/A	N44-155	N44-152
3658	N44-322					

**“Why take the risk? Why discard the warranty?  
Ensure all your parts are genuine Roper parts!”**

**Roper Rebuild Kits Include All Major Parts Required To Rebuild Your Pump**

Eff. 1/01