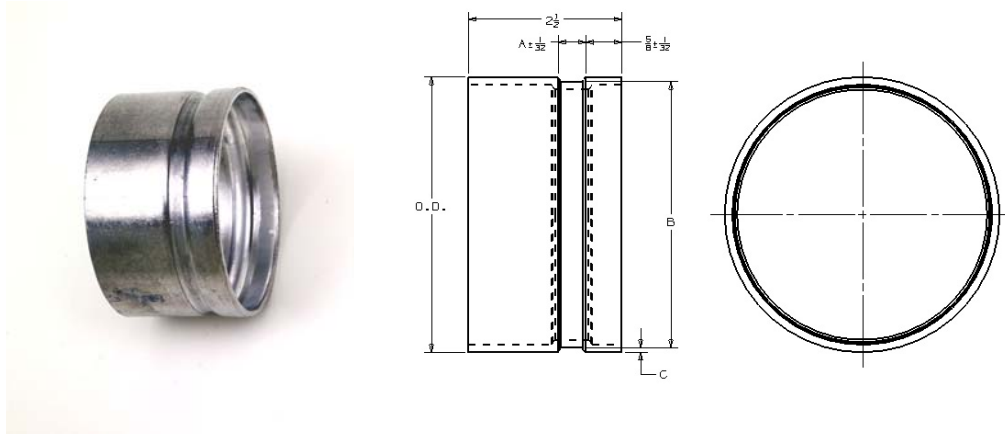


GROOVED NIPPLES



DESCRIPTION, MATERIAL & WEIGHT					DIMENSIONS		
Pipe or Tubing		Material	Part Number	Wt.	A	B	C
Nom. Size	O.D.						
2	2.375	Steel	40306A	.4	5/16	2.250	.0598
		304 Stainless	S40306A	.4			
		Aluminum	41313A	.2			.109
2 1/2	2.875	Steel	40306B	.45	5/16	2.720	.0598
		Aluminum	41313B	.25			.120
3	3.500	Steel	40306C	.5	5/16	3.344	.0598
		304 Stainless	S40306C	.5			
		Aluminum	41313C	.31			.120
4	4.500	Steel	40306D	.7	5/16	4.344	.0598
		304 Stainless	S40306D	.7			
		Aluminum	41313D	.4			.120
6	6.625	Steel	40306F	1.1	5-16	6.455	.075
		304 Stainless	S40306F	1.1			
		Aluminum	41313F	.7			.134

SPECIFICATIONS

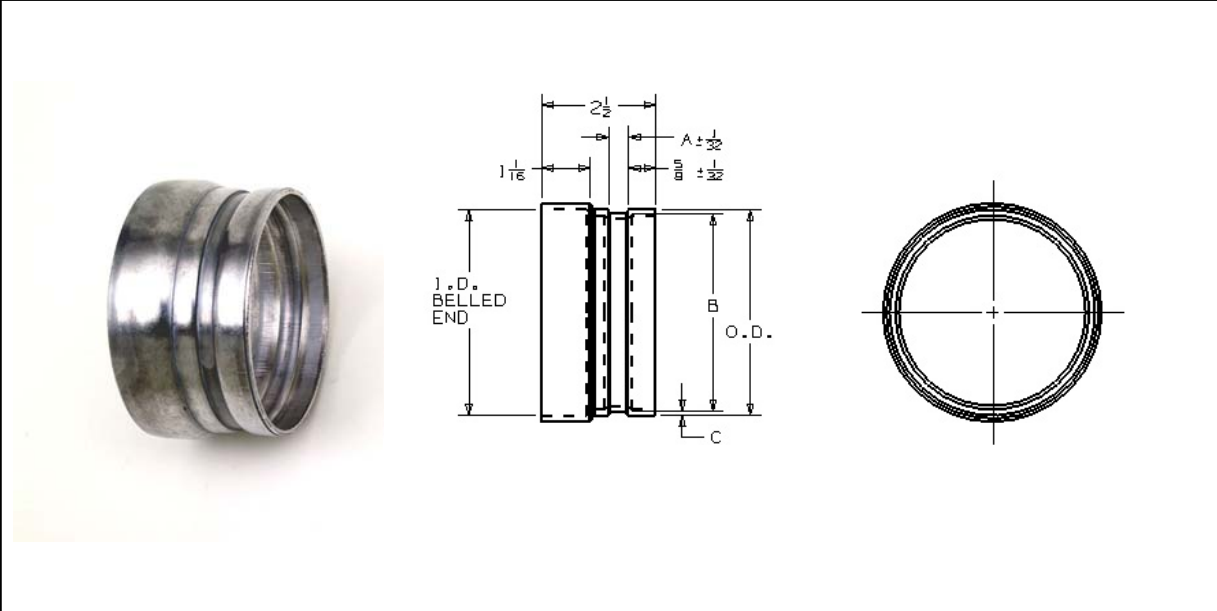
1. Made from thin-wall tubing.
2. Larger inside diameter assures better flow
3. Lightweight, Low Cost
4. For use with most makes of couplings having standard dimensions and tolerances.



Allegheny Coupling Company
 P.O. Box 708
 419 W. Third Ave.
 Warren PA, 16365

Phone: 814-723-8150
 Fax: 814-723-8400
 Web: <http://www.alleghenycoupling.com>

BELLED GROOVED NIPPLES



DESCRIPTION, MATERIAL & WEIGHT					DIMENSIONS			
Pipe or Tubing		Material	Part Number	Wt.	A	B	C	I.D. (Belled end)
Nom. Size	O.D.							
2	2.375	Steel	40305A	.4	5/16	2.250	.0598	2 13/32
		304 Stainless	S40305A	.4				
		Aluminum	41318A	.2				
2 1/2	2.875	Steel	40305B	.45	5/16	2.720	.0598	2 29/32
		Aluminum	41318B	.25				
3	3.500	Steel	40305C	.5	5/16	3.344	.0598	3 17/32
		304 Stainless	S40305C	.5				
		Aluminum	41318C	.31				
4	4.500	Steel	40305D	.7	5/16	4.344	.0598	4 17/32
		304 Stainless	S40305D	.7				
		Aluminum	41318D	.4				

SPECIFICATIONS

1. Made from thin-wall tubing.
2. Larger inside diameter assures better flow
3. Lightweight, Low Cost
4. For use with most makes of couplings having standard dimensions and tolerances.

ALLEGHENY

Allegheny Coupling Company
P.O. Box 708
419 W. Third Ave.
Warren PA, 16365

Phone: 814-723-8150
Fax: 814-723-8400
Web: <http://www.alleghenycoupling.com>