

# 4" Product Drop Elbow

## FEATURES AND BENEFITS

- Lightweight aluminum construction
- High flow rate
- Simple and reliable cam design
- Quick and easy to rebuild
- Two piece construction allows change of connector size and style.
- Sight glass for product visibility
- Most parts interchangeable with other Emco Drop Elbows.

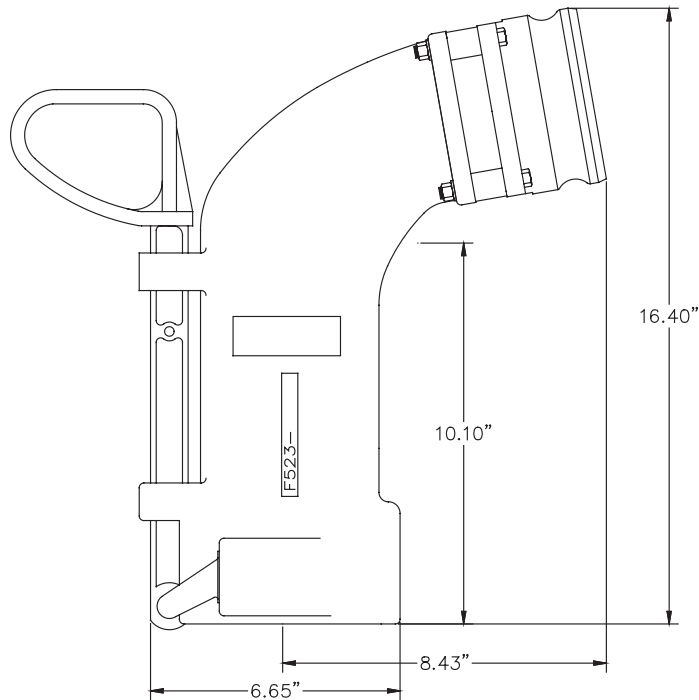


**DROP ELBOWS  
F0523**



# 4" Product Drop Elbow

## OVERALL DIMENSIONS



## VARIANTS

PART NO.	DESCRIPTION	WEIGHT
F523-006	4" x 4" Cam & Groove	13.00 lbs.
F523-007	4" x 4" FNPT	13.00 lbs.
F523-008	4" x 3" Cam & Groove	12.94 lbs.
F523-009	4" x 3" FNPT	12.94 lbs.

As a part of a continuous commitment to product development the company reserves the right to alter the specification of its products without prior notice.

## Contact Your Representative

For additional information, contact your local representative or  
**Gardner Denver Mobile Solutions**

2501 Constant Comment Place • Louisville, KY 40299

Toll Free: 800-626-6334

PH: 502-266-6677 • Fax: 502-266-5873 • [www.gardnerdenver.com](http://www.gardnerdenver.com)

E-mail: [mobilesolutions@gardnerdenver.com](mailto:mobilesolutions@gardnerdenver.com)

Visit our web site: [www.gardnerdenver.com](http://www.gardnerdenver.com)

For Parts Information, Contact Gardner Denver Customer Service:

Ph: 1-800-626-6334 • Fax 502-266-5873