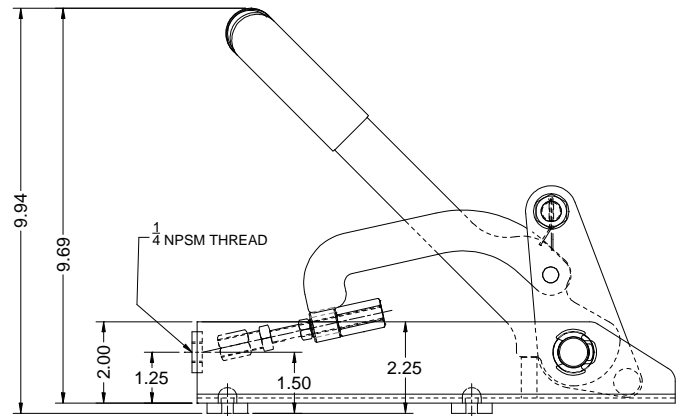
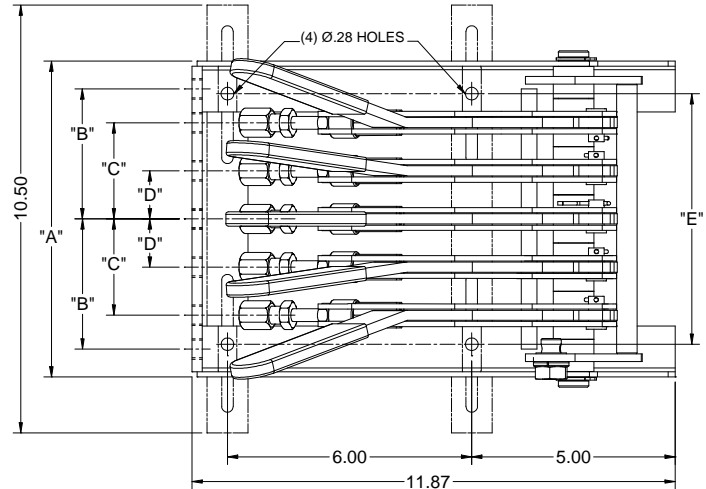
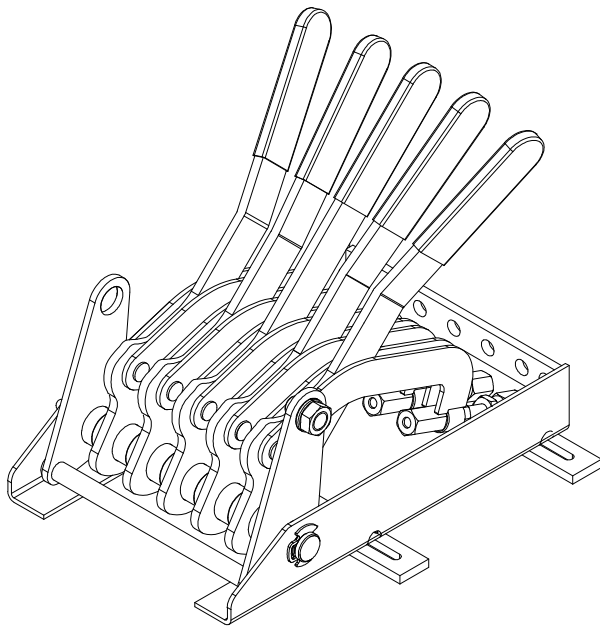


Mechanical Operator

COMPACT - NON-LUBRICATED

- Compact Design
- Stainless or Powder Coated Steel
- 2-3/8" Stroke
- Solid Handles
- Non-Lubricated Stainless Shaft



Betts Compact Mechanical Operators function cable operated emergency valves from a central location on a cargo tank. Available from 1 up to 5 compartments in stainless or powder coated steel; each compartment is supplied with a fusible link designed to melt at not more than 250°F as well as non-slip cable connectors that allow cable to be cut to length after installation.

New design is more compact than comparable Universal or Deluxe models. Slotted mounting straps are available as an option to allow for replacement of Deluxe operators without drilling new mounting holes. Specify straps by adding suffix "001" to assembly number. Other mounting options available by contacting sales.

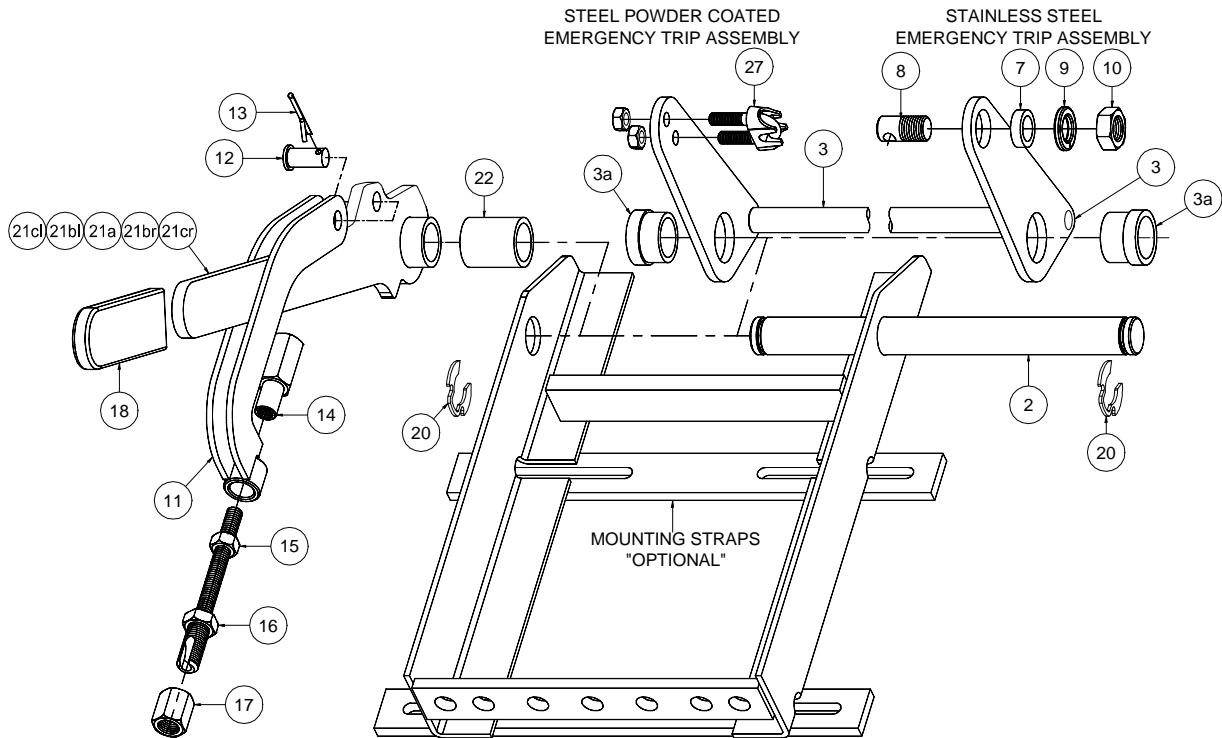
Lever arms provide 2-3/8" stroke and 5.6:1 mechanical advantage. Two trip levers provided for flexibility in locating cable remote control or for attaching two remotes, if required. See Section 29, Page 1A for cable remote control.

No. of Compts.	Material	Weight (lb)	Part No.	Dim. "A" (in.)	Dim. "B" (in.)	Dim. "C" (in.)	Dim. "D" (in.)	Dim. "E" (in.)
1	Stainless	7.1	OP9011SL	4.20	1.41	N/A	.59	2.60
	Steel Powder Coated		OP9011EY					
2	Stainless	9.5	OP9012SL	7.75	3.19	2.36	1.18	6.15
	Steel Powder Coated		OP9012EY					
3	Stainless	12.7	OP9013SL	7.75	3.19	2.36	1.18	6.15
	Steel Powder Coated		OP9013EY					
4	Stainless	15.1	OP9014SL	7.75	3.19	2.36	1.18	6.15
	Steel Powder Coated		OP9014EY					
5	Stainless	17.5	OP9015SL	7.75	3.19	2.36	1.18	6.15
	Steel Powder Coated		OP9015EY					

TM

PARTS LIST

Compact Mechanical Operator Non-Lubricated



No.	Description	Material		Part No.				
		Steel Model	Stainless Model	1 Compt.	2 Compt.	3 Compt.	4 Compt.	5 Compt.
2	SHAFT	304 SS		27818SL-2		27818SL-5		
3	EMERGENCY TRIP LEVER ASSEMBLY	STEEL PC	304 SS	35659EY-2* / 35686SL-2**		35659EY-5* / 35686SL-5**		
3a	FLANGED BUSHING	NA	NA	9V4255				
7	EMERGENCY CABLE CLAMP BUSHING	NA	304 SS	19617SL**				
8	EMERGENCY TRIP CABLE CLAMP	NA	304 SS	19622SL**				
9	1/2 in. SPRING LOCK WASHER	STEEL ZC	304 SS	9Q5908**				
10	1/2 -20 JAM NUT	STEEL ZC	304 SS	9Q5909**				
11	LINK ARM ASSEMBLY	STEEL PC	304 SS	27815EY* / 27815SL**				
12	CLEVIS PIN	STEEL ZC	304 SS	15757ZC* / 19621SL**				
13	3/32 in. x 3/4 in. COTTER PIN	BRASS	304 SS	9Q5865* / 9Q5866**				
14	FUSIBLE BUSHING NUT	BRASS		19724BR				
15	5/16 -24 HEX NUT	STEEL ZC	304 SS	9Q5808A* / 9Q5858**				
16	ADJUSTING BOLT	STEEL	303 SS	20040ZC* / S20040A**				
17	CLAMPING NUT	STEEL ZC	304 SS	10268ZC* / S10268A**				
18	HANDLE GRIP - RED/BLUE	VINYL - RED	VINYL - BLUE	9Z4830* / 9Z4829**				
20	RETAINING RING	STEEL ZC	304 SS	9Q4974* / 9Q4973**				
21cl	LEVER ARM ASSEMBLY - LEFT #2	STEEL PC	304 SS	NA	35650EYL2* / 35650SLL2**			
21bl	LEVER ARM ASSEMBLY - LEFT #1	STEEL PC	304 SS	NA	NA	NA	NA	35650EYL1* / 35650SLL1**
21a	LEVER ARM ASSEMBLY - STRAIGHT	STEEL PC	304 SS	35650EY* / 35650SL**		35650EY* / 35650SL**		
21br	LEVER ARM ASSEMBLY - RIGHT #1	STEEL PC	304 SS	NA	NA	NA	NA	35650EYR1* / 35650SLR1**
21cr	LEVER ARM ASSEMBLY - RIGHT #2	STEEL PC	304 SS	NA	35650EYR2* / 35650SLR2**			
22	REPLACEMENT BUSHING	STEEL PC	304 SS	19624EY* / 19624SL**		NA	19624EY* / 19624SL**	
27	CABLE CLAMP	STEEL ZC	NA	9Q1660*				

*EY" FOR STEEL POWDER COATED GLOSS BLACK, "SL" FOR STAINLESS, "ZC" STEEL ZINC COATED.

*** PARTS FOR STEEL POWDER COATED GLOSS BLACK MODELS ONLY**

**** PARTS FOR STAINLESS MODELS ONLY**

WARNING Use only genuine BETTS INDUSTRIES INC. replacement parts. Use of substitute parts can impair the proper function of this product.

Note: Adjusting Bolt assembly 20040A001 and S20040A001 includes items 14,15,16,17.