

API Adaptor “Y” Valve

FEATURES & BENEFITS

An API adaptor “Y” Valve is designed for high speed unloading. This valve is truly one of a kind eliminating fabricated “Y’s” which increase pressure drop during loading and aren’t even close on unloading.

- **Viton® seals** are standard for compatibility with high-octane fuels and additives
- **All running surfaces are bushed** for smooth operation and extended life
- **Hard anodized** replaceable nose piece
- **Three Stage** cast iron lever
- Lever is “hot coated” to eliminate corrosion
- **Conforms to API RP1004** for total compatibility with API couplers
- **Lightweight two piece cast aluminum** construction for increased payloads with strength
- **Hydrodynamic design** minimizes pressure drop for high flow rates
- **Stainless steel** operating shaft for corrosion resistance
- **Top mounting** for hose interlock
- **Mounting flange** meets 4" TTMA specification
- **Polished API Dust Cap** included



API ADAPTORS

SPECIFY “EMCO WHEATON” FOR THE HIGHEST FLOW

As a part of a continuous commitment to product development the company reserves the right to alter the specification of its products without prior notice

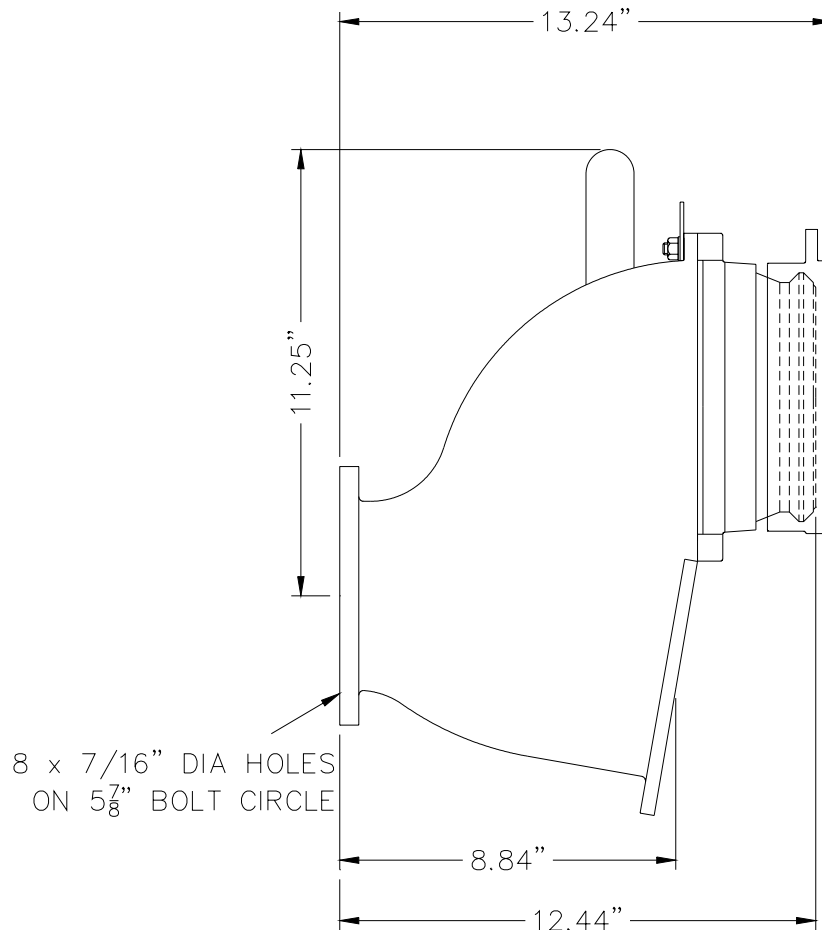
EMCO WHEATON
A Gardner Denver Product

Sheet Ref. CSF0552
April 2007 - Revision 0

Emco Wheaton Fuel Systems
Gardner Denver Inc.
4601 Commerce Crossings Drive
Suite 200
Louisville, KY 40229 USA
Tel: +1 800 285 EMCO (3626)
Fax: +1 502 266 5873
e-mail: fs-us@emcowheaton.com
www.emcowheaton.com



OVERALL DIMENSIONS



API ADAPTORS

VARIANTS

PART NO.	DESCRIPTION	WEIGHT
F0552-023	4" API Adaptor "Y" Valve	23.50 lbs
F0557-012	Outlet Flange Adaptor 3" Cam & Groove	2.40 lbs
F0557-013	Outlet Flange Adaptor 4" Cam & Groove	2.40 lbs

As a part of a continuous commitment to product development the company reserves the right to alter the specification of its products without prior notice