

4" Vapor Drop Elbow

FEATURES AND BENEFITS

The vapor drop elbow is designed with the operator in mind. It is lightweight and durable with a low pressure drop to reduce delivery times.

- Lightweight aluminum construction
- Low pressure drop, ensuring high flow rates
- Available with and without internal poppet assembly
- Simple and reliable cam design
- Quick and easy to rebuild
- Two piece construction allows change of hose connection size and style
- Most parts interchangeable with other Emco Drop Elbows



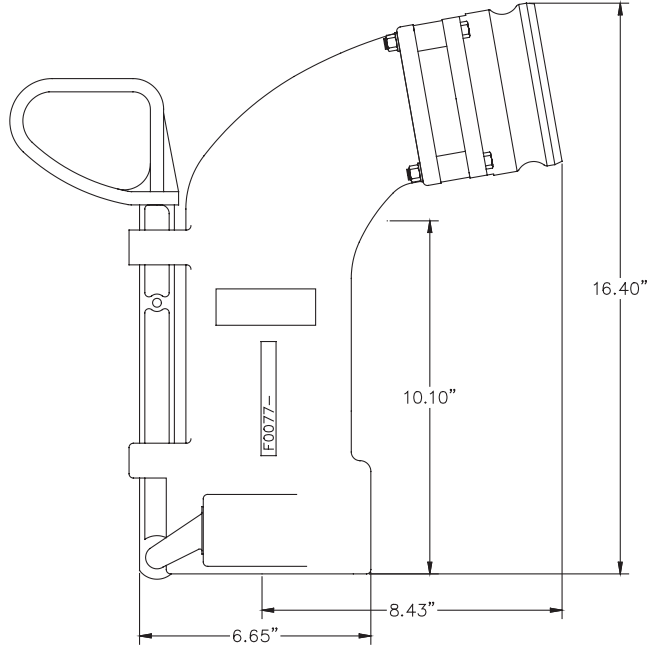
GD **GARDNER DENVER®**
Emco Wheaton®

DROP ELBOWS
F0077



4" Vapor Drop Elbow

DIMENSIONS



VARIANTS

PART NO.	DESCRIPTION	WEIGHT
F0077-007	4" x 3" Cam & Groove, Poppeted	13.06 lbs.
F0077-008	4" x 3" FNPT, Poppeted	13.06 lbs.
F0077-009	4" x 3" Cam & Groove, Non-Poppeted	12.62 lbs.
F0077-010	4" x 3" FNPT, Non-Poppeted	12.62 lbs.
F0077-011	4" x 4" Cam & Groove, Poppeted	13.06 lbs.
F0077-012	4" x 4" Cam & Groove, Non-Poppeted	12.62 lbs.

As a part of a continuous commitment to product development the company reserves the right to alter the specification of its products without prior notice.

Contact Your Representative

For additional information, contact your local representative or
Gardner Denver Mobile Solutions

2501 Constant Comment Place • Louisville, KY 40299

Toll Free: 800-626-6334

PH: 502-266-6677 • Fax: 502-266-5873 • www.gardnerdenver.com

E-mail: mobilesolutions@gardnerdenver.com

Visit our web site: www.gardnerdenver.com

For Parts Information, Contact Gardner Denver Customer Service:

Ph: 1-800-626-6334 • Fax 502-266-5873

Gardner
Denver