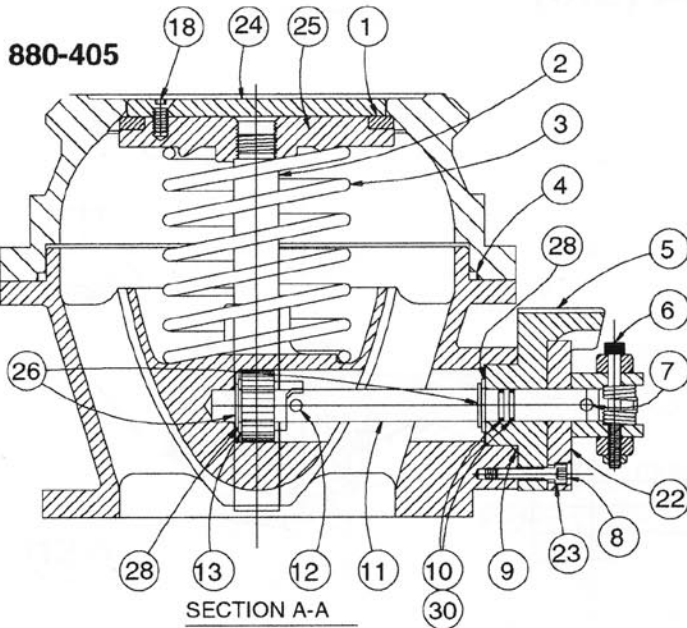
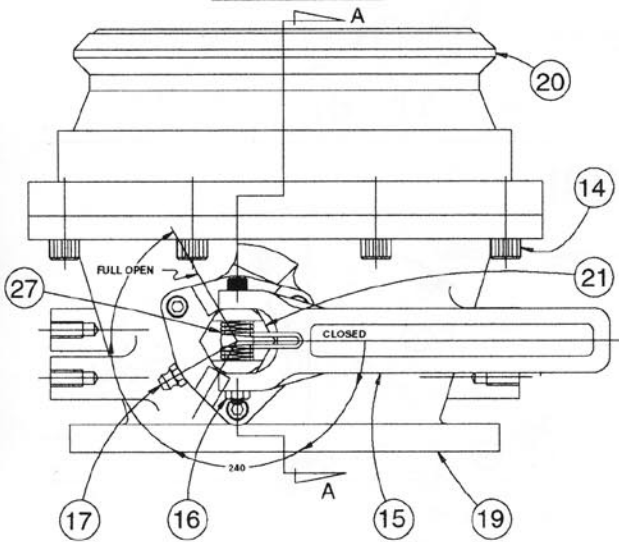


# PARTS LIST Bottom Loading Adaptors

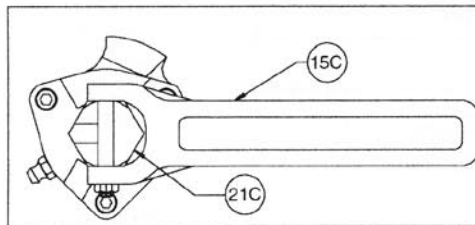
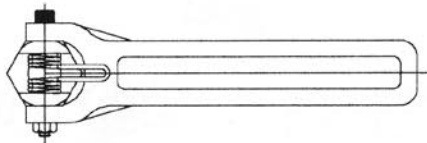
## 880-405 (Std) 880-418 (Chemical) 880-405C (Canadian)



SECTION A-A



**880-214  
Handle  
Hub-Assembly**



		880-405	
ITEM	NAME	QTY. REQ'D.	PART NO.
	Service Kit	1	90006
	Service Kit includes:		
(1) Item 1	(1) Item 9		
(1) Item 4	(1) Item 10		
(1) Item 8	(1) Item 18		
1	Poppet Seat Gasket (Viton)	1	880-116-01
2	Stem with Gear	1	880-105-01
3	Spring	1	880-127-01
4	Seal Ring (Viton)	1	11034-02
5	Latch	1	880-212-01
6	Soc. Hd. Cap Screw	1	11030-09
7	Spirol Pin	1	11086-04
8	Socket Hd. Cap Screw (S.S.)	3	11170-07
9	"O" Ring (Viton)	1	11062-02
10	"O" Ring (Viton)	2	11039-02
11	Shaft	1	880-101-01
12	Grooved Pin	1	11130-01
13	Gear	1	880-106-01
14	Socket Hd. Cap Screw	8	11030-06
15	Handle	1	880-211-01
16	Locknut	1	11109-01
17	Grease Fitting	1	11111-01
18	Flat Hd. Soc. Cap Screw	3	11067-03
19	Body (Openable) Style	1	880-400-02
20	API Adaptor	1	880-401-01
21	Hub	1	880-217-01
22	Latch Plate	1	880-172-01
23	Insert	3	880-173-01
24	Seal Retainer	1	880-126-01
25	Poppet Spring Guide	1	880-201-01
26	Retaining Ring	2	11001-03
27	Hatch Spring	1	880-216-01
28	Washer	2	880-117-01
29	Handle Ass'y.	1	880-205-01

### 880-418 (CHEMICAL)

All parts are similar to 880-405 **except for the following.**

ITEM	NAME	QTY. REQ'D.	PART NO.
1	Poppet Seat Gasket (Kalrez)	1	880-174-01
3	Spring (Poppet S.S.)	1	880-175-01
4	O-Ring (Teflon)	1	11166-01
9	O-Ring (Teflon)	1	11166-02
10	O-Ring (Viton) (Rear)	1	11039-02
12	Groove Pin	1	11167-01
13	Spur Gear	1	880-176-01
30	O-Ring (Kalrez) (Front)	1	11168-01

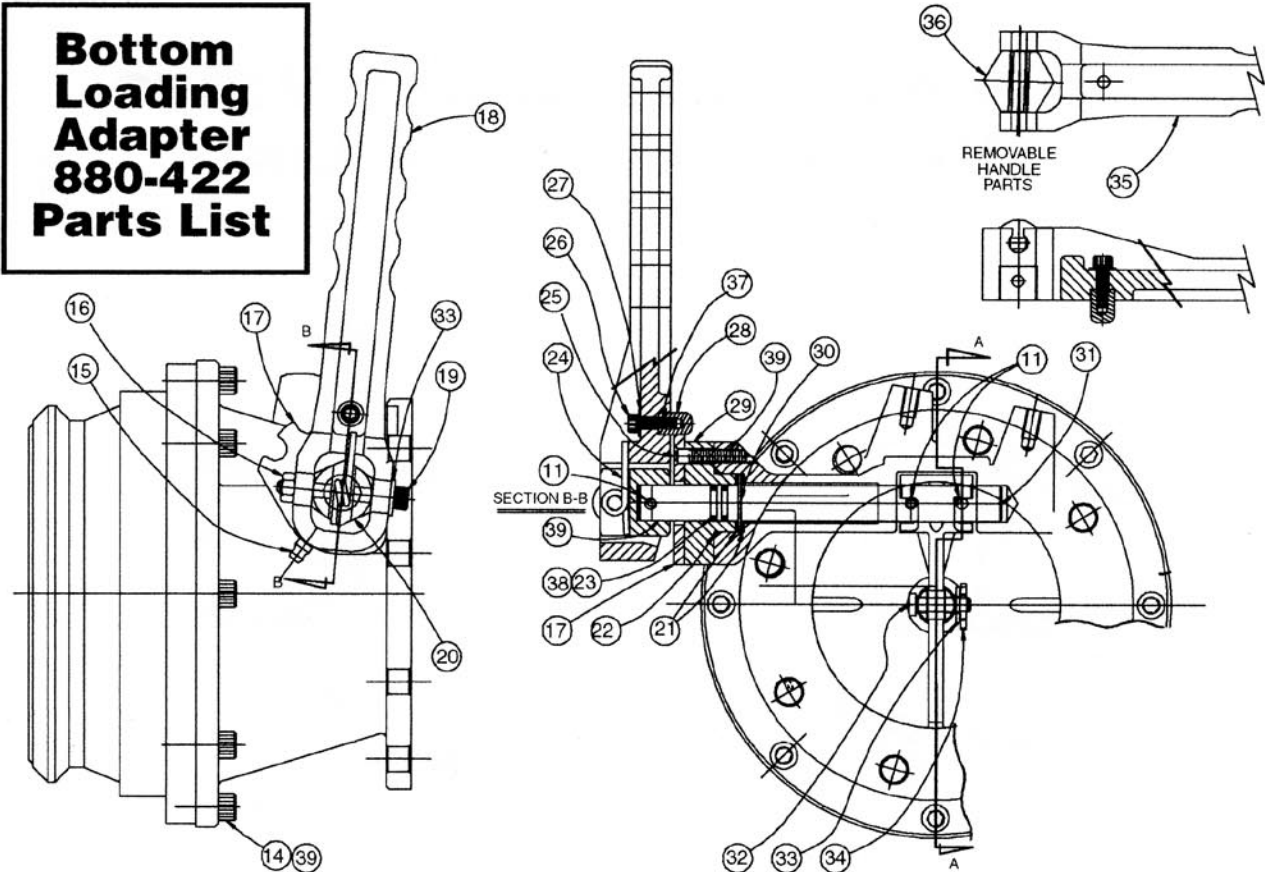
NOTE: Does not come with Service Kit Part No. 90006.

### 880-405C (CANADIAN)

All parts are similar to 880-405  
**except for the following.**

ITEM	NAME	QTY. REQ'D.	PART NO.
15C	Handle Ass'y.	1	880-225-01
21C	Hub	1	880-184-01

# Bottom Loading Adapter 880-422 Parts List



PART NAME	PART NUMBER	ITEM
ANTI-SEIZE	11144-01	39
PETROLEUM -JELLY	11378-01	38
THREADLOCKER #222	12002-01	37
HEX -REMOVABLE HANDLE	880-199-01	36
HANDLE ASM-REMOVABLE	880-222-01	35
PIN -3/32 DIA. x 1/2 COTTER	11135-01	34
WASHER -1/4 FLAT	11136-01	33
PIN -ROLLER CAM	880-189-01	32
SHAFT -CROSS	880-218-01	31
RING -5/8 DIA. RETAINING	11001-06	30
ADAPTER -LATCH	880-219-01	29
PIN- LATCH	880-192-01	28
WASHER- #10 S.S.	11275-07	27
SCREW - 10-24 x 5/8 SOC	11030-10	26
SCREW -1/4-20 x 1 1/4 FLAT	11067-05	25
SPRING -HANDLE	880-102-01	24
RING -5/8 O.D. "O" (VITON)	11039-12	23
RING- 1 3/16 O.D. x 1 I.D. "O"	11062-04	22
WASHER -5/8 I.D. FLAT S.S.	880-191-01	21
HUB -HEX	880-198-01	20
SOC HD CAP SCREW S.S. 1/4-20 X 2.00	11170-16	19
HANDLE	880-326-01	18
LATCH	880-220-01	17
LOCKNUT -1/4-20	11041-05	16
FITTING -GREASE	11111-01	15
SCREW -5/16-18 x 7/8 SOC.	11030-06	14
CAM -LOADING ARM	880-215-01	13
ROLLER -CAM	880-190-01	12
PIN -3/16 x 1 SPIROL	11086-04	11
ADAPTOR -TANK TRUCK	880-426-01	10
ADAPTOR -API	880-401-01	9
POPPET & STEM ASM.	880-112-03	8
STEM	880-188-01	7
POPPET -SPRING GUIDE	880-201-01	6
SEAL -POPPET (VITON)	880-116-01	5
RETAINER -SEAL	880-126-01	4
SCREW -1/4-20x1/2 FLAT SOC	11067-03	3
SPRING	880-127-01	2
SEAL RING	11034-02	1

**880-422C (canadian)**  
 similar to 880-422 except for the following

HUB -HEX	880-198-01	20
HANDLE	880-326-01	18