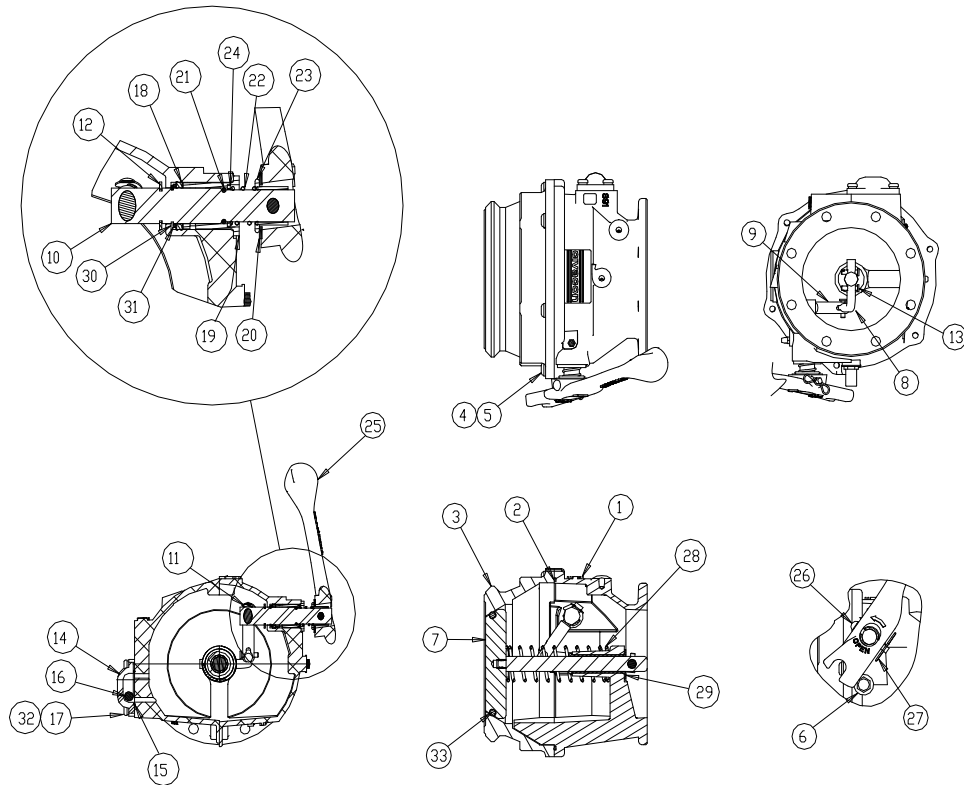




## 891BA Bottom Loading Adaptor



ITEM	PART NUMBER	DESCRIPTION	QTY.
1	11548	BODY, MACHINED	1
2	11905 <sup>2</sup>	O-RING	1
3	11550	ADAPTOR FACE	1
4	10806M	LOCK WASHER	6
5	11534	SCREW	6
6	H20051M	STOP PIN	1
7	11850	POPPET	1
8	11545	LINK, POPPET/HANDLE	1
9	11544	LINK, SHAFT	1
10	11543 <sup>1</sup>	SHAFT	1
11	11661	E-CLIP	1
12	11662	E-CLIP	1
13	11618	CLEVIS PIN	3
14	11365M	SIGHT GLASS	1
15	H51437M	O-RING	1
16	H51384M	FLOAT BALL	1
17	11366M	SCREW	4
18	11705	QUAD RING	1
19	11536	BEARING	1
20	10840	NYLON WASHER	1

ITEM	PART NUMBER	DESCRIPTION	QTY.
21	H06924M	O-RING	1
22	H20182M	SPRING	1
23	11490	HUB	1
24	H20199M	NYLON WASHER	1
25	11460	HANDLE	1
26	H08901M	FULCRUM PIN	1
27	11623	BOWTIE CLIP	1
28	11664	SPRING	1
29	11665	BEARING	1
30	11703	RETAINING RING	1
31	11704	WASHER	1
32	H20057M	LOCK WASHER	4
33	H20058M	O-RING	1

REPAIR KITS	
891HRK	HANDLE REPAIR KIT
891ORK	O-RING REPAIR KIT
891SRK	SHAFT REPAIR KIT
891BRK	SIGHT GLASS REPAIR KIT

1—Included in 891HRK, 2—Included in 891ORK, 3—Included in 891SRK