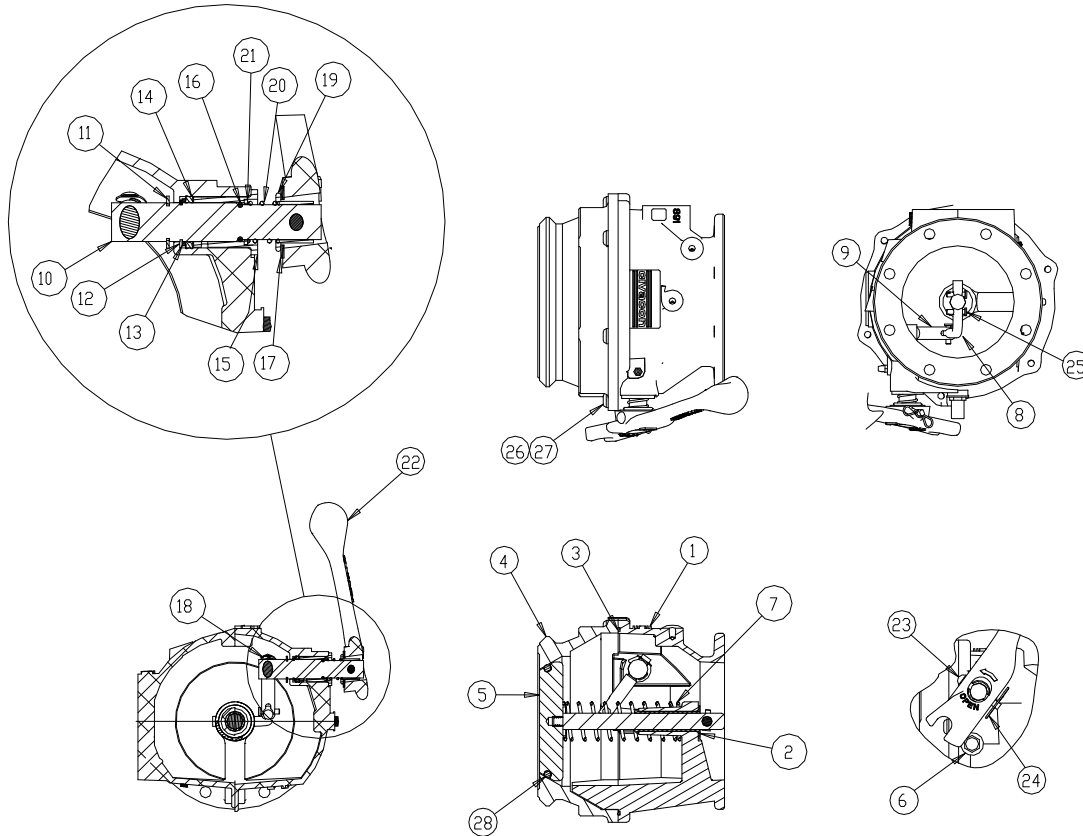




891A Bottom Loading Adaptor



PARTS BREAK DOWN

ITEM	PART NUMBER	DESCRIPTION	QTY.
1	11750	BODY, MACHINED	1
2	11665	BEARING	1
3	11905 ²	O-RING	1
4	11550	ADAPTOR FACE	1
5	11580	POPPET	1
6	H20051M	STOP PIN	1
7	11664	SPRING	1
8	11546	LINK, POPPET/HANDLE	1
9	11544	LINK, SHAFT	1
10	11543 ¹	SHAFT	1
11	11662	E-CLIP	1
12	11703	RETAINING RING	1
13	11704 ^{1,3}	WASHER	1
14	11705 ^{1,2,3}	QUAD RING	1
15	11536 ^{1,3}	BEARING	1
16	H06942M ^{1,2,3}	O-RING	1
17	10840 ^{1,3}	NYLON WASHER	1
18	11661	E-CLIP	1

ITEM	PART NUMBER	DESCRIPTION	QTY.
19	11490 ^{1,3}	HUB	1
20	H20182M ^{1,3}	SPRING	1
21	H20199M ^{1,3}	NYLON WASHER	1
22	11460 ¹	HANDLE	1
23	H08901M ^{1,3}	FULCRUM PIN	1
24	11623 ^{1,3}	BOWTIE CLIP	1
25	11618	CLEVIS PIN	3
26	10806M	LOCK WASHER	6
27	11534	SCREW	6
28	H20058M	POPPET O-RING	1

REPAIR KITS	
891HRK	HANDLE REPAIR KIT
891ORK	O-RING REPAIR KIT
891SRK	SHAFT REPAIR KIT

1—Included in 891HRK, 2—Included in 891ORK, 3—Included in 891SRK