



Short Stroke

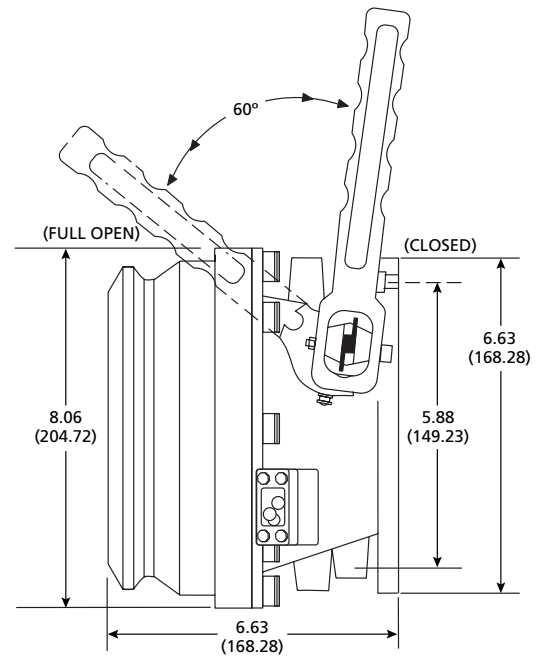
Quick closing two position handle.



880-422-01



**880-422-02 WITH
REMOVABLE
HANDLE.
AVAILABLE IN
BRASS OR NYLON.**

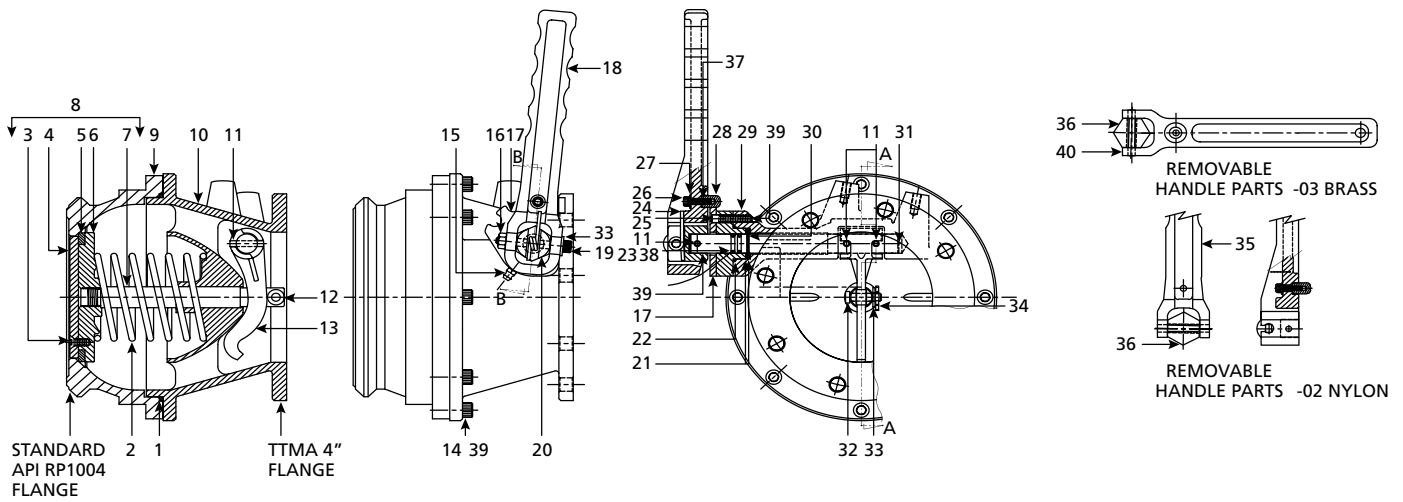


880-422-01

MODEL UNIT	880-422-01	880-422-02
Type	Standard	Canadian
Inches	4.00	4.00
Millimeters	101.6	101.6
Pounds	11.69	11.69
Kilograms	5.30	5.30



Short Stroke Parts List



#	PART NAME	PART NUMBER	#	PART NAME	PART NUMBER
1	Seal Ring	1103402	21	Washer - 5/8 I.D. Flat Stainless Steel	1125707
2	Spring	880-12-701	22	Ring - 1 3/16 O.D. x 1 I.D. "O"	1106204
3	Screw - 1/4-20 x 1/2 Flat Soc	1106703	23	Ring - 5/8 O.D. "O" (Viton)	1103912
4	Retainer - Seal	880-20-701	24	Spring - Handle	880-10-201
5	Seal - Poppet (Viton)	880-11-601	25	Screw - 1/4-20 x 1 1/4 Flat	1106703
6	Poppet - Spring Guide	880-20-101	26	Screw - 10-24 x 5/8 Soc	1103010
7	Stem	880-18-801	27	Washer - #10 Stainless Steel	1125707
8	Poppet & Stem Assembly	880-11-201	28	Pin - Latch	880-19-201
9	Adapter - API	880-40-101HC	29	Adapter - Latch	880-21-901
10	Adapter - Tank Truck	880-43-401	30	Ring - 5/8 Dia. Retaining	1100106
11	Pin - 3/16 x 1 Spirol	1108604	31	Shaft - Cross	880-21-801
12	Roller - Cam	880-19-001	32	Pin - Roller Cam	880-18-901
13	Cam - Loading Arm	880-21-501	33	Washer - 1/4 Flat	1113601
14	Screw - 5/16 - 18 x 7/8 Soc	1103006	34	Pin - 3/32 Dia. x 1/2 Cotter	1113501
15	Fitting - Grease	1111101	35	Handle Assembly - Removable	880-22-201
16	Locknut - 1/4-20	1104105	36	Hex - Removable Handle	880-19-901
17	Latch	880-22-001	37	Threadlocker - Jelly #222	1200201
18	Handle	880-32-601	38	Petroleum - Jelly	1137801
19	Soc Head Cap Screw Stainless Steel 1/4-20 x 2.00	1117016	39	Anti-seize	1114401
20	Hub - Hex	880-19-801	40	Handle Assembly, Removable - Brass	881-21-902

PART NUMBER	DESCRIPTION
880-422-01	Standard API Bottom Loading Adapter
880-422-02	Canadian API Bottom Loading Adapter