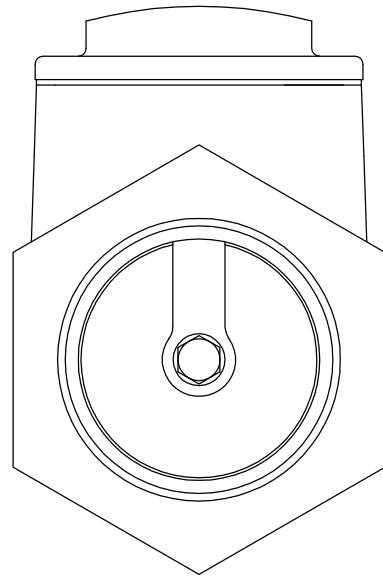
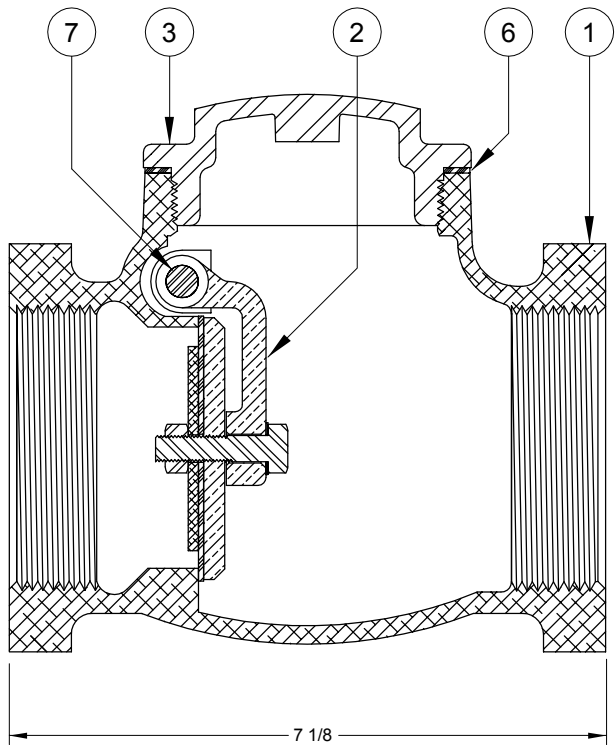
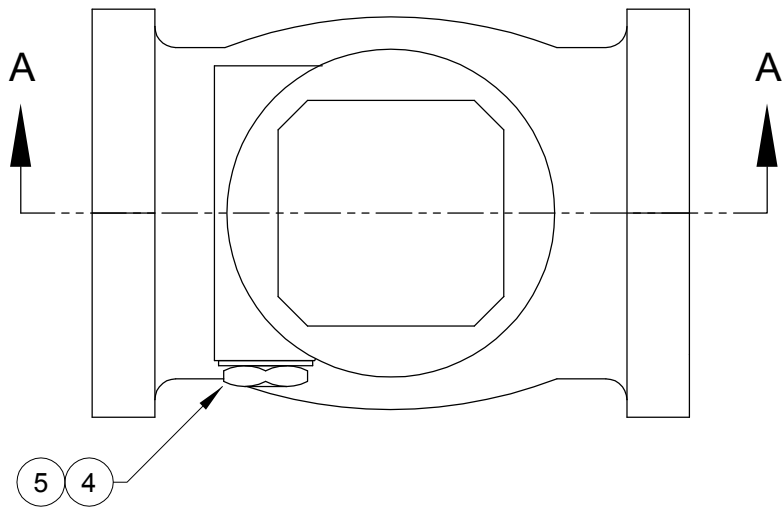


3" CHECK VALVE (THREADED)



SECTION A-A

ITEM	PART NUMBER	DESCRIPTION	QTY.
1	1726	BODY (ALUMINUM THREADED)	1
2	SEE CHART	POPPET ASSY (BRASS / BUNA)	1
3	1727 ¹	CAP (CALVANIZED STEEL)	1
4	1729B ²	SHAFT NUT (BRASS, PLATED)	1
5	1730	SHAFT NUT GASKET (HI-TEMP.)	1
6	1731	CAP GASKET (HI-TEMP.)	1
7	1734	SHAFT (S.S.)	1

SEALING MEDIA / MATERIAL CHART		
ASSY P/N	POPPET P/N	DESCRIPTION
VA0017	1722A	POPPET ASSY (BRASS / BUNA)
VA0018	1739A	POPPET ASSY (S.S. / BUNA)
VA0019	1724A	POPPET ASSY (BRASS / VITON)
VA0020	1740A	POPPET ASSY (S.S. / VITON)

1 - ALSO AVAILABLE IN ALUM. (P/N 1733) 2 - ALSO AVAILABLE IN ALUM. (P/N 1735)