

BUTTERFLY

P2855 SERIES

2"-5" - 50 PSI (345 Kpa)

RATINGS

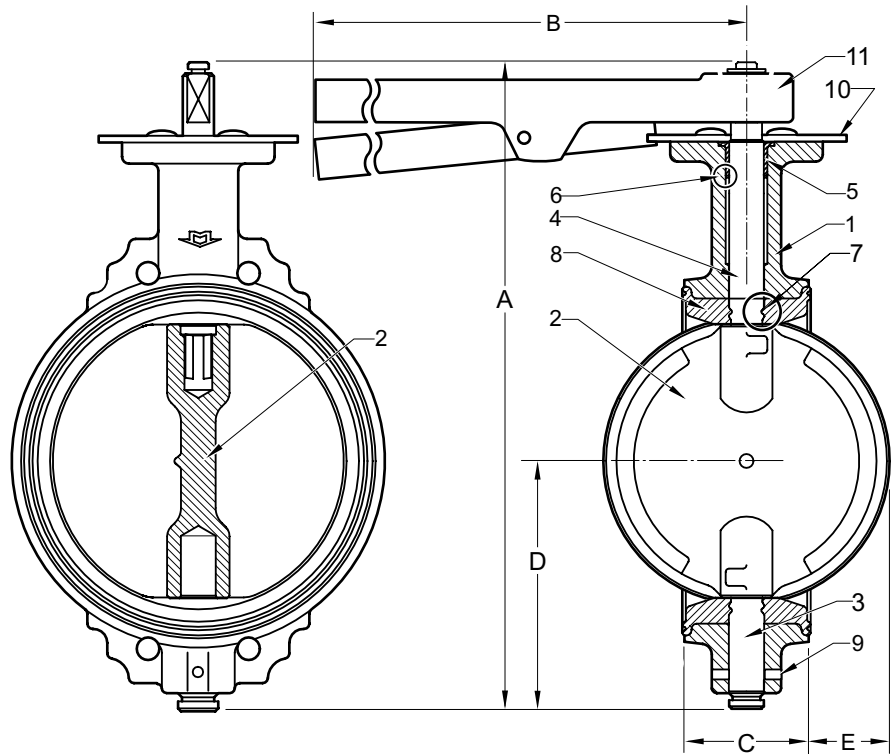
50 PSI Butterfly Valve
Non-Shock Water, Oil, Gas
Dry Bulk Product

SPECIFICATIONS

TTMA
ANSI API-609
Special Flanges Available

FEATURES

- Rugged Design
- Light Weight Aluminum Body
- Designed for use With Either TTMA, ANSI and Special Flanged Fittings.
- Intended for Tank Truck and Dry Bulk Applications.
- 90° Open and Close Cycle
- NP Ductile Iron Disc, for Abrasive Service
- 3 Liner Options:
Terpolymer
EPDM
Hydrin



MATERIALS

| ITEM | PART NAME | MATERIALS | PART No. | SIZE CODE for ORDERING | | | |
|---------------------|-----------------------------|-------------------------------------|----------|------------------------|---------|---------|------|
| | | | | 2" | 3" | 4" | 5" |
| 1 | BODY | ALUMINUM | 1734 | -J | -L | -N | -R |
| 2 | DISC | DUCTILE IRON / Ni PLATED | 38030 | -J | -L | -N | -R |
| 3 | BOTTOM STEM (1) | T416 STAINLESS STEEL | 26192 | -J | -L | -N | -R |
| 4 | TOP STEM (2) | | 26191 | -J | -L | -N | -R |
| 5 | TOP BEARING / DUST SEAL (2) | THERMOPLASTIC | 7464 | -562 | -562 | -625 | -625 |
| 6 | C-CLIP | SPRING STEEL | 52120 | -562 | -562 | -625 | -625 |
| 7 | STEM SEAL | EPDM | | | | | |
| 8 | LINER | TERPOLYMER (black with 2 blue dots) | 79163 | -J | -LX | -NY | -RX |
| | | HYDRIN (black with 2 red dots) | | -JH | -LH | -NH | -RH |
| | | EPDM (black) | | -JE | -LE | -NE | -RE |
| 9 | SPRING PIN (2) | T302 STAINLESS STEEL | 5933 | -J1 | -J1 | -S1 | -S1 |
| 10 | STOP PLATE | CARBON STEEL / ZINC PLATED | 4559 | -L | -J | -R | -R |
| 11 | HANDLE | CAST STEEL | 84096 | -LL | -LL | -RL | -RL |
| 12 | CRIMP RING | T309 STAINLESS STEEL | 52125 | -185 | -185 | -185 | -185 |
| (1) Bottom Stem Kit | | | 86155-JT | 8645-LT | 8645-NT | 8645-RT | |
| (2) Top Stem Kit | | | 86155-JB | 8644-LB | 8644-NB | 8644-RB | |

VALVE DIMENSIONS

| ITEM | 2" | 3" | 4" | 5" |
|------|------|------|-------|-------|
| A | 8.15 | 9.25 | 10.52 | 11.60 |
| B | 9 | 9 | 11 | 11 |
| C | 1.62 | 1.74 | 1.99 | 2.24 |
| D | 2.90 | 3.52 | 4.01 | 4.68 |
| E | 0.30 | 0.72 | 1.10 | 1.46 |

FLANGE DIMENSIONS

| FLANGE SPECIFICATIONS | 2" | 3" | 4" | 5" | |
|-----------------------|------------------|------|------|------|------|
| ASA | ∅ B.C. | 4.75 | 6.00 | 7.50 | 8.50 |
| | ∅ Bolt No. Bolts | 0.63 | | 0.75 | |
| TTMA | ∅ B.C. | 3.75 | 4.88 | 5.88 | 7.00 |
| | ∅ Bolt No. Bolts | 0.38 | | 0.50 | |
| COMPETITIVE | ∅ B.C. | 4.27 | 4.91 | 7.03 | 7.56 |
| | ∅ Bolt No. Bolts | 0.38 | | 0.50 | |

The information presented on this sheet is correct at the time of publication. Milwaukee Valve reserves the right to change design, and/or material specifications without notice. For the most current information access www.milwaukeevalve.com.