

ANGLE CHECK P-717S

BRONZE

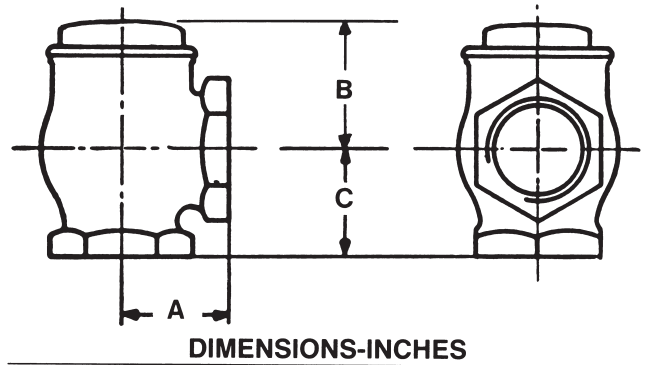
125 psi WOG at 100°F • 25 psi WOG AT 350°F

Threaded Cap • Threaded Ends

Light weight, positive closing. Viton-A* renewable disc.
Guided in friction free bearing. This valve was formerly
identified by drawing number C-35417-S.

Valve must be mounted in upright position.

For 2 1/2" Flanged Aluminum Check, P-717F



DIMENSIONS-INCHES

SIZE	A	B	C
2	2 9/16	2 7/16	2 9/16