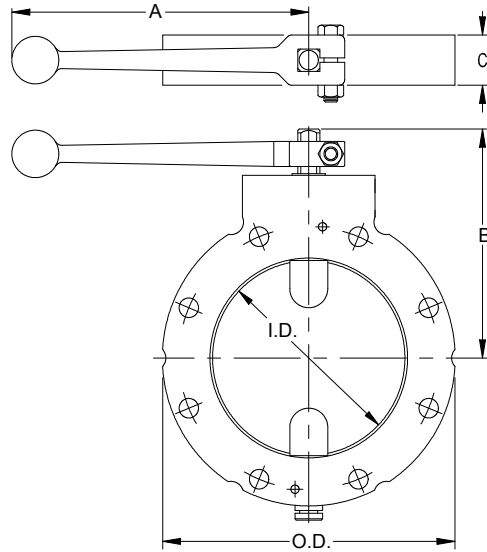


Betts

Wet-R-Dri Valve

TTMA STYLE

LIGHTWEIGHT
COMPACT
VERSATILE



Size	Detent Model Assembly No.	Wt.	Standard Material		Max. Working Pressure	Temperature Range
			Body	Disc		
2"	WD201 AL B	2.4	Aluminum	Buna-N	75 PSI	See Chart Below
	WD201 GI B	4.6	Grey Iron			
3"	WD301 AL B	3.6	Aluminum	Buna-N	75 PSI	
	WD301 GI B	6.9	Grey Iron			
4"	WD401 AL V	4.5	Aluminum	Viton	75 PSI	
	WD401 GI V	8.3	Grey Iron			
5"	WD501 AL V	7.9	Aluminum	Viton	50 PSI	
6"	WD601 AL U	11.8	Aluminum	Urethane	50 PSI	
8"	WD801 AL U	17.3	Aluminum	Urethane	50 PSI	

NOTE: Standard drilling fits TTMA recommended standards.

Valves are available with the following options: Stainless steel liners and shafts, grease fittings installed in the drive and bearing shafts, and "E" Coating of aluminum valves (recommended for aluminum valves used in water service).

For repair kit, see Section 20, Page 5B.

Dimensions

Size	A	B	C	I.D.	O.D.	B.C.	Holes
2"	6 ³ / ₄	4 ¹ / ₄	1 ¹ / ₈	2 ¹ / ₄	3 ³ / ₄	3 ³ / ₄	6 ⁻⁷ / ₁₆
3"	6 ³ / ₄	4 ⁵ / ₈	1 ¹ / ₈	3 ³ / ₈	5 ⁵ / ₈	4 ⁷ / ₈	8 ⁻⁷ / ₁₆
4"	6 ³ / ₄	5 ¹ / ₈	1 ¹ / ₈	4 ³ / ₈	6 ⁵ / ₈	5 ⁷ / ₈	8 ⁻⁷ / ₁₆
5"	6 ³ / ₄	6 ³ / ₈	2 ¹ / ₈	5 ⁷ / ₁₆	7 ⁵ / ₈	7	12 ⁻⁷ / ₁₆
6"	12	7	2 ¹ / ₈	6 ¹ / ₈	8 ⁵ / ₈	8 ¹ / ₈	12 ⁻⁷ / ₁₆
8"	12	8	2 ¹ / ₂	8	10 ⁷ / ₈	10 ¹ / ₈	16 ⁻⁷ / ₁₆

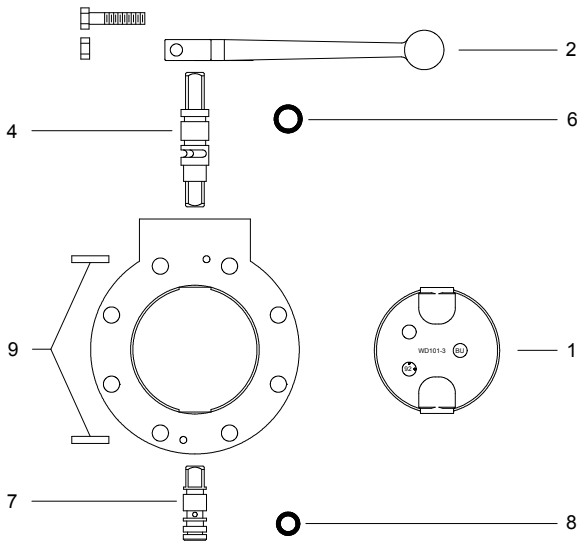
Suffix for Disc Material

Buna-N		Viton	Urethane		EPDM
Black	White		Black	White	
B	WB	V	U	WU	E
-40°F	-40°F	-0°F	-40°F	-40°F	-50°F
+200°F	+200°F	+400°F	+200°F	+200°F	+300°F

NOTE: Temperature ranges based on published information and may vary due to actual operating conditions.

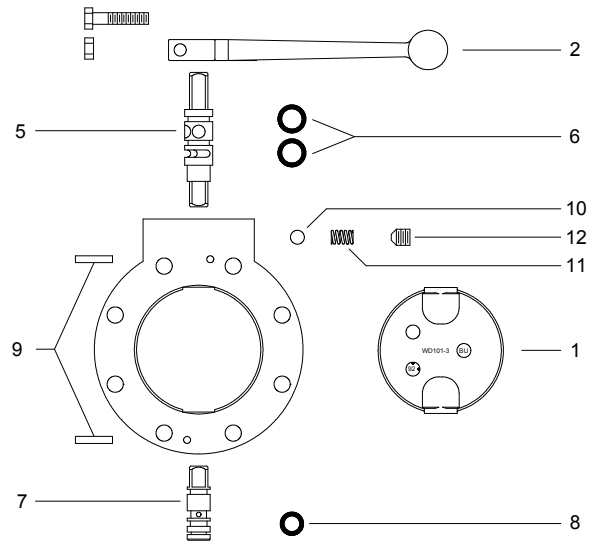
Betts

PARTS LIST



STANDARD MODEL

Wet-R-Dri VALVE



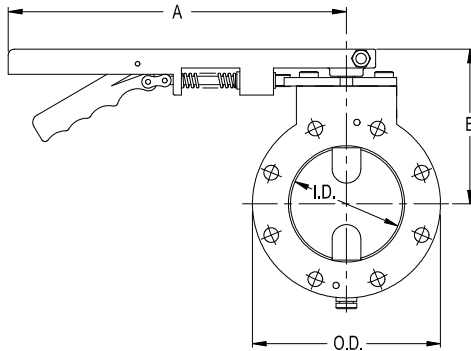
DETENT MODEL

No.	Description	Material	2" Size	3" Size	4" Size	5" Size	6" Size	8" Size
			Part No.	Part No.	Part No.	Part No.	Part No.	Part No.
1	Disc	Buna-N	WD101-2 BN	WD101-3 BN	WD101-4 BN	WD101-5 BN	WD101-6 BN	WD101-8 BN
		Viton	WD101-2 VT	WD101-3 VT	WD101-4 VT	WD101-5 VT	WD101-6 VT	WD101-8 VT
		Urethane	WD101-2 PY	WD101-3 PY	WD101-4 PY	WD101-5 PY	WD101-6 PY	WD101-8 PY
		EPDM	WD101-2 EP	WD101-3 EP	WD101-4 EP	WD101-5 EP	WD101-6 EP	WD101-8 EP
2	Handle	Mall. "E" Coated	25884EY	25884EY	25884EY	25884EY	25933AL	25933AL
	Cap Screw	Steel Zinc Plt.	9Q5813	9Q5813	9Q5813	9Q5813	9Q5898	9Q5898
	Hex. Nut	Steel Zinc Plt.	9Q5808	9Q5808	9Q5808	9Q5808	9Q5808	9Q5808
4	Drive Shaft	Steel	27053MS	27050MS	27050MS	27051MS	16229MS	16229MS002
5	Drive Shaft	Steel	27053MS001	27050MS001	27050MS001	27051MS001	16229MS	16229MS002
6	O-Ring	To Match Disc Mat'l.	17889**	17889**	17889**	17889**	18831**	18831**
7	Bearing Shaft	Steel	16006MS	15913MS	15913MS	15913MS	16230MS	16230MS002
8	O-Ring	To Match Disc Mat'l.	17781**	18141**	18141**	18141**	18831**	18831**
9	Driv-Lok-Pin	Steel Zinc Plt.	9Q4893	9Q4893	9Q4893	9Q4925	9Q4926	9Q4938
10	Detent Ball	440 Stnls	9Z4856	9Z4856	9Z4856	9Z4856	9Z4856	9Z4856
11	Detent Spring	304 Stnls	15229SL	15229SL	15229SL	15229SL	15229SL	15229SL
12	Ret. Screw	304 Stnls	9Q5838	9Q5838	9Q5838	9Q5838	9Q5838	9Q5838

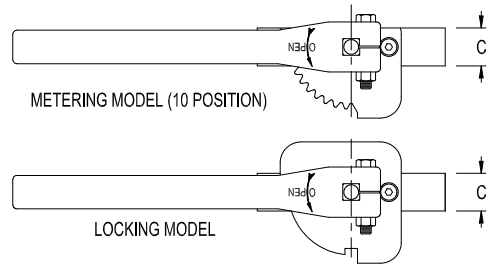
** O-Ring material suffix to match Disc suffix (i.e.-17889VT)

Wet-R-Dri VALVE

LIGHTWEIGHT
COMPACT
VERSATILE



TTMA STYLE



The Betts Wet-R-Dri Valve is designed for handling liquid, gaseous or dry products, and is available in a variety of sizes and models. This space saving valve is lightweight, easily maintained, and has a positive stop in the open and closed position. The Locking model has a 2 notch indexing plate which locks disc in the open or closed positions. The Metering model has a 10 notch indexing plate which allows disc to be positioned in 10 various positions.

Size	Locking Model	Wt.	Metering Model	Wt.	Standard Material		Max. Working Pressure	Temperature Range
	Assembly No.		Assembly No.		Body	Disc		
2"	WD202 AL B	3.3	WD204 AL B	3.1	Aluminum	Buna-N	75 PSI	See Chart Below
	WD202 GI B	5.5	WD204 GI B	5.3	Grey Iron			
3"	WD302 AL B	4.5	WD304 AL B	4.3	Aluminum	Buna-N	75 PSI	
	WD302 GI B	7.8	WD304 GI B	7.6	Grey Iron			
4"	WD402 AL V	5.4	WD404 AL V	5.2	Aluminum	Viton	75 PSI	
	WD402 GI V	9.2	WD404 GI V	9.0	Grey Iron			
5"	WD502 AL V	8.8	WD504 AL V	8.6	Aluminum	Viton	50 PSI	
6"	WD602 AL U	12.4	WD604 AL U	12.2	Aluminum	Urethane	50 PSI	
8"	WD802 AL U	17.9	WD804 AL U	17.7	Aluminum	Urethane	50 PSI	

NOTES: Standard drilling fits TTMA recommended standards.

Valves are available with the following options: Stainless steel liners and shafts, grease fittings installed in the drive and bearing shafts, and "E" Coating of aluminum valves (recommended for aluminum valves used in water service). For repair kit, see Section 20, Page 5B.

Dimensions

Size	A	B	C	I.D.	O.D.	B.C.	Holes
2"	10 ¹ / ₈	4 ¹ / ₄	1 ¹ / ₈	2 ¹ / ₄	3 ³ / ₄	3 ³ / ₄	6 ⁻⁷ / ₁₆
3"	10 ¹ / ₈	4 ⁹ / ₈	1 ¹ / ₈	3 ³ / ₈	5 ⁵ / ₈	4 ⁷ / ₈	8 ⁻⁷ / ₁₆
4"	10 ¹ / ₈	5 ¹ / ₈	1 ¹ / ₈	4 ³ / ₈	6 ⁵ / ₈	5 ⁷ / ₈	8 ⁻⁷ / ₁₆
5"	10 ¹ / ₈	6 ³ / ₈	2 ¹ / ₈	5 ⁷ / ₁₆	7 ⁵ / ₈	7	12 ⁻⁷ / ₁₆
6"	12	7	2 ¹ / ₈	6 ¹ / ₈	8 ⁵ / ₈	8 ¹ / ₈	12 ⁻⁷ / ₁₆
8"	12	8	2 ¹ / ₂	8	10 ⁷ / ₈	10 ¹ / ₈	16 ⁻⁷ / ₁₆

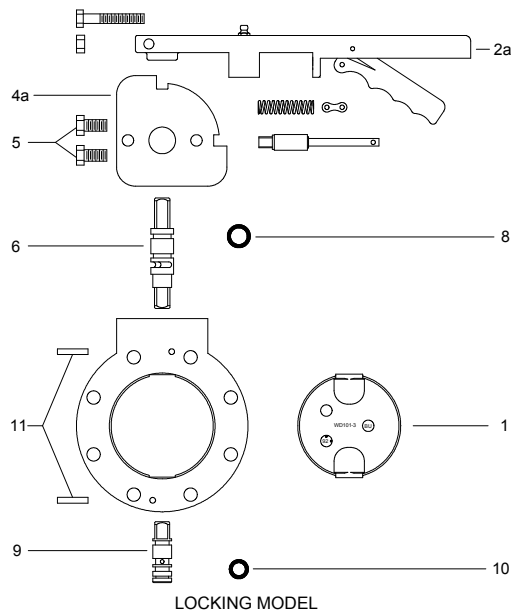
Suffix for Disc Material

Buna-N		Viton	Urethane		EPDM
Black	White		Black	White	
B	WB	V	U	WU	E
-40°F	-40°F	-0°F	-40°F	-40°F	-50°F
+200°F	+200°F	+400°F	+200°F	+200°F	+300°F

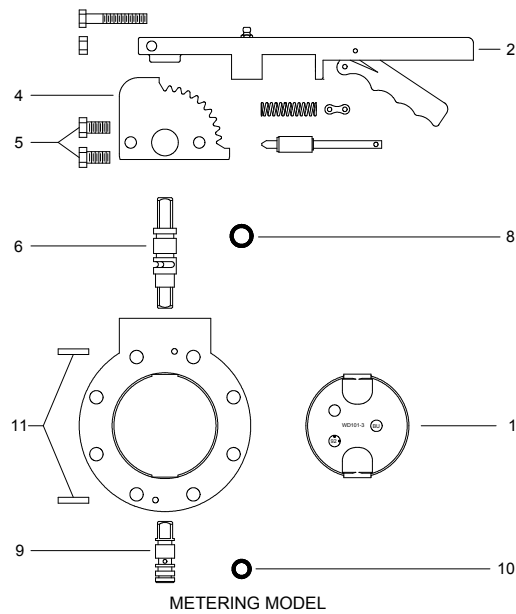
NOTE: Temperature ranges based on published information and may vary due to actual operating conditions.

Betts

PARTS LIST



LOCKING MODEL



METERING MODEL

Wet-R-Dri VALVE

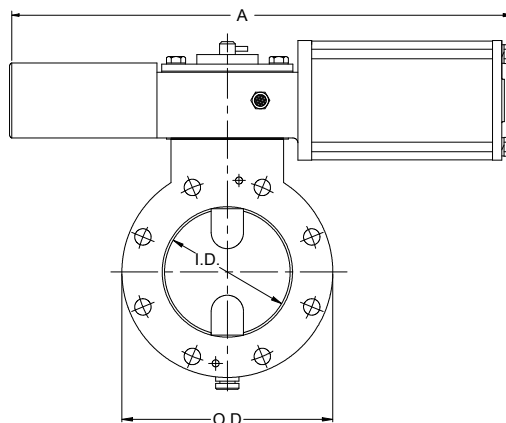
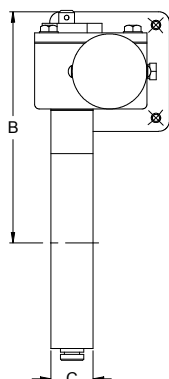
No.	Description	Material	2" Size	3" Size	4" Size	5" Size	6" Size	8" Size
			Part No.	Part No.	Part No.	Part No.	Part No.	Part No.
1	Disc	Buna-N	WD101-2 BN	WD101-3 BN	WD101-4 BN	WD101-5 BN	WD101-6 BN	WD101-8 BN
		Viton	WD101-2 VT	WD101-3 VT	WD101-4 VT	WD101-5 VT	WD101-6 VT	WD101-8 VT
		Urethane	WD101-2 PY	WD101-3 PY	WD101-4 PY	WD101-5 PY	WD101-6 PY	WD101-8 PY
		EPDM	WD101-2 EP	WD101-3 EP	WD101-4 EP	WD101-5 EP	WD101-6 EP	WD101-8 EP
2	Handle Assy.	Alum. "E" Coated	26284AL	26284AL	26284AL	26284AL	26287AL	26287AL
2a	Handle Assy.	Alum. "E" Coated	26075AL	26075AL	26075AL	26075AL	26077AL	26077AL
	Handle/Grip	Alum. "E" Coated	25815ALEY	25815ALEY	25815ALEY	25815ALEY	25802ALEY	25802ALEY
	Spring	302 Stnls	16365SL	16365SL	16365SL	16365SL	16365SL	16365SL
	Plunger-Metering	Steel	16969MS	16969MS	16969MS	16969MS	17020MS	17020MS
	Plunger-Locking	Steel	16385MS	16385MS	16385MS	16385MS	16400MS	16400MS
	Chain Link	Steel	9Z4915	9Z4915	9Z4915	9Z4915	9Z4915	9Z4915
	Cap Screw	Alum. Or Steel	9Q5897	9Q5897	9Q5897	9Q5897	9Q5898	9Q5898
	Hex. Nut	Steel Zinc Plt.	9Q5808	9Q5808	9Q5808	9Q5808	9Q5808	9Q5808
4	Indexing Plate	Steel "E" Coated	17012EY	17012EY	17012EY	17012EY	17016EY	17016EY
4a	Indexing Plate	Steel "E" Coated	16358EY	16358EY	16358EY	16358EY	16668EY	16668EY
5	Cap Screw	Stainless	9Q5884	9Q5884	9Q5884	9Q5884	9Q5884	9Q5884
6	Drive Shaft	Steel	27053MS	27050MS	27050MS	27051MS	16229MS	16229MS002
8	O-Ring	To Match Disc Mat'l.	17889**	17889**	17889**	17889**	18831**	18831**
9	Bearing Shaft	Steel	16006MS	15913MS	15913MS	15913MS	16230MS	16230MS
10	O-Ring	To Match Disc Mat'l.	17781**	18141**	18141**	18141**	18831**	18831**
11	Driv-Lok-Pin	Steel Zinc Plt.	9Q4893	9Q4893	9Q4893	9Q4925	9Q4926	9Q4938

** O-Ring material suffix to match Disc suffix (i.e.-17889VT)

Wet-R-Dri VALVE

TTMA STYLE

LIGHTWEIGHT
COMPACT
VERSATILE



The Betts Wet-R-Dri Valve is designed for handling liquid, gaseous or dry products, and is available in a variety of sizes and models. This space saving valve is lightweight, easily maintained, and has a positive stop in the open and closed position. The air operated valve is opened and closed by air. The air-spring operated valve can be sold as either an air to open, spring return valve or as an air to close spring to open valve. Please specify.

Size	Wt.	Air-Spring Model	Wt.	Standard Material		Max. Working Pressure	Temperature Range
		Assembly No.		Body	Disc		
2"	5.9	WD219 AL B	6.4	Aluminum	Buna-N	75 PSI	See Chart Below
	8.1	WD219 GI B	8.6	Grey Iron			
3"	7.1	WD319 AL B	7.6	Aluminum	Buna-N	75 PSI	
	10.4	WD319 GI B	10.9	Grey Iron			
4"	8.0	WD419 AL V	8.5	Aluminum	Viton	75 PSI	
	11.8	WD419 GI V	12.3	Grey Iron			
5"	11.4	WD519 AL V	11.9	Aluminum	Viton	50 PSI	
6"	15.3	WD619 AL U	15.8	Aluminum	Urethane	50 PSI	
8"	20.8	WD819 AL U	21.3	Aluminum	Urethane	50 PSI	

NOTES: Standard drilling fits TTMA recommended standards.
Valves are available with the following options: Stainless steel liners and shafts, and "E" Coating of aluminum valves (recommended for aluminum valves used in water service).
For repair kit, see Section 20, Page 5B.

Dimensions

Size	A	B	C	I.D.	O.D.	B.C.	Holes
2"	13 ⁵ / ₁₆	5 ¹³ / ₁₆	1 ¹ / ₈	2 ¹ / ₄	3 ³ / ₄	3 ³ / ₄	6 ⁻ / ₁₆
3"	13 ⁵ / ₁₆	6 ⁵ / ₃₂	1 ¹ / ₈	3 ³ / ₈	5 ⁵ / ₈	4 ⁷ / ₈	8 ⁻ / ₁₆
4"	13 ³ / ₁₆	6 ¹¹ / ₁₆	1 ¹ / ₈	4 ³ / ₈	6 ³ / ₈	5 ¹ / ₈	8 ⁻ / ₁₆
5"	13 ³ / ₁₆	7 ¹ / ₈	2 ¹ / ₈	5 ⁷ / ₁₆	7 ³ / ₈	7	12 ⁻ / ₁₆
6"	13 ³ / ₁₆	8 ⁷ / ₁₆	2 ¹ / ₈	6 ¹ / ₈	8 ³ / ₈	8 ¹ / ₈	12 ⁻ / ₁₆
8"	13 ⁵ / ₁₆	9 ³ / ₈	2 ¹ / ₂	8	10 ⁷ / ₈	10 ¹ / ₈	16 ⁻ / ₁₆

Suffix for Disc Material

Buna-N		Viton	Urethane		EPDM
Black	White		Black	White	
B	WB	V	U	WU	E
-40°F	-40°F	-0°F	-40°F	-40°F	-50°F
+200°F	+200°F	+400°F	+200°F	+200°F	+300°F

NOTE: Temperature ranges based on published information and may vary due to actual operating conditions.

Betts

PARTS LIST

Wet-R-Dri VALVE

ACTUATOR ONLY PART NOS.

- 2" Thru 5" Spring Return Act. Part No. 46495AL
- 2" Thru 5" Double Acting Act. Part No. 46504AL
- 6" & 8" Spring Return Act. Part No. 46496AL
- 6" & 8" Double Acting Act. Part No. 46519AL

INDICATOR PIN ASSEMBLY PART NO.

- 2" Thru 5" Part No. 19531AL
- 6" & 8" Part No. 19532AL

No.	Description	Req'd.	Size	Material	Part No.
1	Mtg. End Plate	1	2"Thru 8"	Aluminum	19243ALEY
2	O-Ring	2	2"Thru 8"	Buna-N	17666BN
3	Piston Seal	As Req'd.	2"Thru 8"	Buna-N	17669BN
†4	Piston	1	2"Thru 8"	Aluminum	19437AL
††4a	Piston	1	2"Thru 8"	Aluminum	19285AL
†5	Spring	1	2"Thru 8"	316 Stnls.	19413SS
6	Cylinder	1	2"Thru 8"	Aluminum	19240AL
7	Stop Tube	1	2"Thru 8"	Aluminum	19241AL
8	Housing	1	2"Thru 5"	Aluminum	35390ALEY
		1	6" & 8"	Aluminum	35400ALEY
9	Clevis	1	2"Thru 5"	17-4 Stnls.	19237SL
		1	6" & 8"	17-4 Stnls.	19238SL
10	Button Head S.C.S.	2	2"Thru 8"	Steel	9Q5940
11	Hex Jam Nut	2	2"Thru 8"	Steel Zinc Plt.	9Q5910
12	O-Ring	1	2"Thru 8"	Buna-N	17781BN
13	Shaft	1	2"Thru 8"	304 Stnls.	19239SL
14	O-Ring	1	2"Thru 8"	Buna-N	19350BN
15	Washer	1	2"Thru 8"	Aluminum	19268AL
16	End Cap	1	2"Thru 8"	Aluminum	19244ALEY
17	1/4 Lockwasher	4	2"Thru 8"	Steel	9Q5845
18	Hex. Hd. Bolt	4	2"Thru 8"	Steel Zinc Plt.	9Q5938
19	Retaining Ring	2	2"Thru 8"	Steel Plated	9Q4932
20	Bearing	2	2"Thru 8"	Bronze	9Z4870
21	Clevis Pin	1	2"Thru 8"	Steel Plated	9Q4729
22	Cover Plate	1	2"Thru 8"	Aluminum	19490ALEY
23	Hex. Hd. Bolt	4	2"Thru 8"	Steel Zinc Plt.	9Q5849
23a	1/4 Star Washer	4	2"Thru 8"	Steel Zinc Plt.	9Q5923
24	Gasket	1	2"Thru 8"	Cork-Neoprene	19269CN
26	O-Ring	1	2"Thru 8"	Buna-N	18066BN
††27	Socket Hd. Screw	1	2"Thru 8"	Steel	9Q5798
†28	1/8 Pipe Plug	1	2"Thru 8"	Steel	9V4915
A1	Plug	1	2"Thru 8"	Aluminum	19489AL
A2	O-Ring	1	2"Thru 8"	Buna-N	19357BN
A3	O-Ring	1	2"Thru 8"	Buna-N	19505BN

No.	Description	Req'd.	Size	Material	Part No.
A4	Indicator Pin	1	2"Thru 5" 6" & 8"	316 Stnls.	19528SS 19529SS
A5	Spirol Pin	1	2"Thru 8"	304 Stnls.	9Q8601
A6	1/2 Star Washer	1	2"Thru 8"	410 Stnls.	9Q5916
A7	Breather	1	2"Thru 8"	Brass	9Z4895
31	Cap Screw	2	2"Thru 8"	Steel	9Q5856
32	Gasket	1	2",3" & 4"	Cork-Neoprene	18308CN
			5",6" & 8"	Cork-Neoprene	19351CN
33	O-Ring	1	2"Thru 5"	Buna-N	17889**
			6"	Buna-N	18831**
		2	8"	Buna-N	18831**
34	Drive Shaft	1	2"	Steel	27053MS
			3" & 4"	Steel	27050MS
			5"	Steel	27051MS001
			6"	Steel	16229MS
			8"	Steel	16229MS002
35	Disc	1	2"	* Specify Material See Section 20 Page 4C	WD101-2*
			3"		WD101-3*
			4"		WD101-4*
			5"		WD101-5*
			6"		WD101-6*
36	O-Ring	1	2"	Buna-N	17781**
			3"Thru 5"	Buna-N	18141**
36a	O-Ring	1	6" & 8"	Buna-N	18831**
37	Bearing Shaft	1	2"	Steel	16006MS
			3"Thru 5"	Steel	15913MS
			6"	Steel	16230MS
			8"	Steel	16230MS002
38	Driv-Lok Pin	2	2"Thru 5"	Steel Zinc Plt.	9Q4893
			6"	Steel Zinc Plt.	9Q4926
39	Grease Fitting	1	8"	Steel Zinc Plt.	9Q4938
			8"	Steel	9Z3058

** O-Ring material suffix to match Disc suffix (i.e.-17889VT)

† PART REQ'D ON SPRING RETURN MODELS ONLY

†† PART REQ'D ON DOUBLE ACTING MODELS ONLY

PARTS LIST

Wet-R-Dri VALVE Repair Kit

For WD Valve Size	Repair Kit Part No.	
2"	WD18402BN	Suffix: BN Buna-N Disc PY Urethane Disc VT Viton Disc EP EPDM Disc REPAIR KITS CONSIST OF: 1 Disc 2 Drive Shaft O-Rings 1 Bearing Shaft O-Ring 2 Drive Lock Pins 2 Flange Gaskets 1 Sec. 20, Page 1A & B
	WD18402VT	
3"	WD18403BN	
	WD18403VT	
4"	WD18404VT	
5"	WD18405VT	
6"	WD18406PY	
	WD18406VT	
8"	WD18408PY	
	WD18408VT	
All Detent	WD18400SL	Detent Repair Kit (For all sizes detent models) CONSISTS OF: 1 Detent Ball WD109SL 1 Detent Spring WD110SL 1 Retaining Screw WD111SL

For Detent model valves a Detent Repair Kit is required in addition to the appropriate size valve repair kit.