

Dry Bulk Valves

Sure Seal



Completely made and assembled in the U.S.A.

Sure Seal Series **500-522** Butterfly Valves

PATENTED

Sizes 2"-12"

*Interchangeable with Keystone
Figure 100/122*

**The Superior Resilient Seated
Butterfly Valve for Industry
on the Market Today**

SURE SEAL INCORPORATED IS PROUD TO BE

ISO 9001 certified



The Sure Seal Valve line comes with new and improved patented designs and concepts.

**A Lot More Valve
For A Lot Less Cost.**

U.S. Patent #5207411

Dry Bulk Valves

Milwaukee Valves

BUTTERFLY

P2855 SERIES

2"-5" - 50 PSI (345 Kpa)

RATINGS

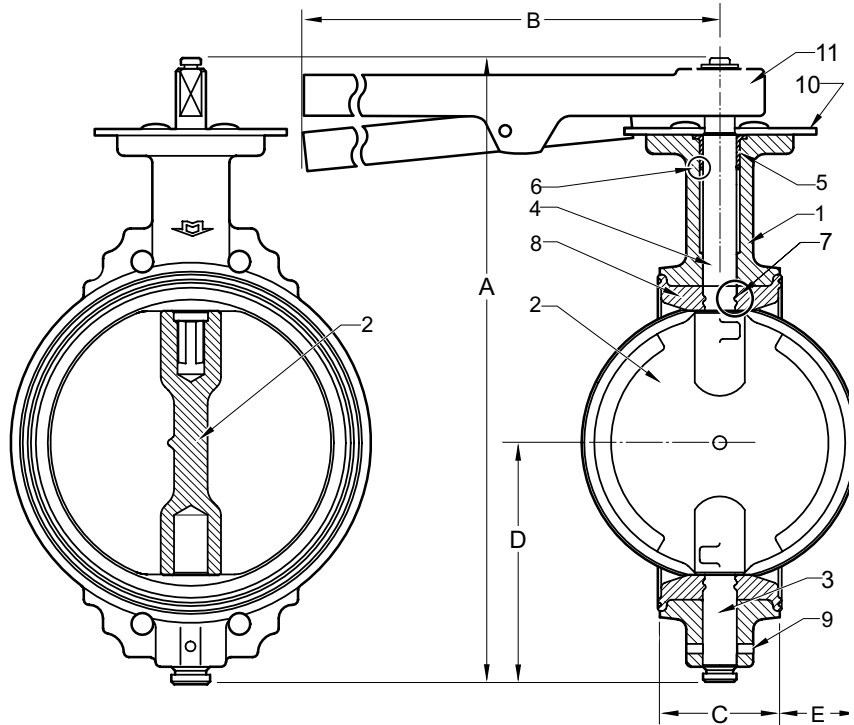
50 PSI Butterfly Valve
Non-Shock Water, Oil, Gas
Dry Bulk Product

SPECIFICATIONS

TTMA
ANSI API-609
Special Flanges Available

FEATURES

- Rugged Design
- Light Weight Aluminum Body
- Designed for use With Either TTMA, ANSI and Special Flanged Fittings.
- Intended for Tank Truck and Dry Bulk Applications.
- 90° Open and Close Cycle
- NP Ductile Iron Disc, for Abrasive Service
- 3 Liner Options:
Terpolymer
EPDM
Hydrin



MATERIALS

ITEM	PART NAME	MATERIALS	PART No.	SIZE CODE for ORDERING			
				2"	3"	4"	5"
1	BODY	ALUMINUM	1734	-J	-L	-N	-R
2	DISC	DUCTILE IRON / Ni PLATED	38030	-J	-L	-N	-R
3	BOTTOM STEM (1)	T416 STAINLESS STEEL	26192	-J	-L	-N	-R
4	TOP STEM (2)			-J	-L	-N	-R
5	TOP BEARING / DUST SEAL (2)	THERMOPLASTIC	7464	-562	-562	-625	-625
6	C-CLIP	SPRING STEEL	52120	-562	-562	-625	-625
7	STEM SEAL	EPDM					
8	LINER	TERPOLYMER (black with 2 blue dots)	79163	-J	-LX	-NY	-RX
		HYDRIN (black with 2 red dots)		-JH	-LH	-NH	-RH
		EPDM (black)		-JE	-LE	-NE	-RE
9	SPRING PIN (2)	T302 STAINLESS STEEL	5933	-J1	-J1	-S1	-S1
10	STOP PLATE	CARBON STEEL / ZINC PLATED	4559	-L	-J	-R	-R
11	HANDLE	CAST STEEL	84096	-LL	-LL	-RL	-RL
12	CRIMP RING	T309 STAINLESS STEEL	52125	-185	-185	-185	-185
(1) Bottom Stem Kit				86155-JT	8645-LT	8645-NT	8645-RT

VALVE DIMENSIONS

ITEM	2"	3"	4"	5"
A	8.15	9.25	10.52	11.60
B	9	9	11	11
C	1.62	1.74	1.99	2.24
D	2.90	3.52	4.01	4.68
E	0.30	0.72	1.10	1.46

FLANGE DIMENSIONS

FLANGE SPECIFICATIONS		2"	3"	4"	5"
ASA	∅ B.C.	4.75	6.00	7.50	8.50
	∅ Bolt No. Bolts	0.63		0.75	
		4		8	
TTMA	∅ B.C.	3.75	4.88	5.88	7.00
	∅ Bolt No. Bolts	0.38			
		6	8	12	
COMPETITIVE	∅ B.C.	4.27	4.91	7.03	7.56
	∅ Bolt No. Bolts	0.38		0.50	
		4		6	

Dry Bulk Valves

Ultraflo Valves

Resilient Seated Butterfly Valves: 2"-24"

General Service Applications, Wafer & Lug Bodies

400
SERIES
422



ultraflo®

Section C
Dry Bulk Trailer Parts

Sure Seal

500 Series Valves Cast aluminum single piece body, white seat

Valve Size	Iron Disc/White Seat	Stainless Disc/White Seat
2"	2500001701	2500002701
3"	3500001701	3500002701
4"	4500001701	4500002701
4" TTMA Drilled	48500001701	48500002701
5"	5500001701	5500002701
5" Fruehauf	5K500001701	5K500002701
6"	6500001701	6500002701
8"	8500001701	8500002701

Section C
Dry Bulk Trailer Parts

890 Series Valves Cast aluminum two piece body, white seat

Valve Size	Stainless Disc/White Seat
2"	2890255701
3"	3890255701
4"	4890255701
5"	5890255701
6"	6890255701

Handle Kits (sold separately)

Part Number	Description
5002602310	2-3" steel kit
5002604610	4-6" steel kit
5002072310	2-3" alum kit
5002074610	4-6" alum kit
5002371010	8" 890 series iron kit
500237810	8-10" 500 series iron kit

Sure Seal

Valve Parts Seats / Bushing Kits / Screw Kits

Size	White Seat	Black Seat	Bushing Kits	Screw Kits (500 series)
2"	2500522701	2500522700	2350099BPKIT	23213
3"	3500522701	2500522700	2350099BPKIT	23213
4"	4500522701	4500001700	4650099BPKIT	4565213
4" TTMA Drilled	48500522701	48500001700	4650099BPKIT	456213
5"	5500522701	5500522700	4650099BPKIT	456213
6"	6500522701	6500522700	4650099BPKIT	456213
8"	8500522701	8500522700	6998500BPKIT	8213

Valve Parts Disc / Disc Stems

Size	500 Series Iron Disc	500 Series SS Disc	500 Series Stems	890 Series SS Disc/Stem
2"	2500522237U	2500522209U	2500522240	2890255U
3"	3500522237U	3500522209U	3500522240	3890255U
4"	4500522237U	4500522209U	4500522240	4890255U
5"	5500522237U	5500522209U	5500522240	5890255U
6"	6500522237U	6500522209U	6500522240	6890255U
8"	8500522237U	8500522209U	8500522240	8890255U



Ultraflo

400 Series Valves Cast aluminum single piece body, white seat

Valve Size	Iron Disc/BlackSeat	Stainless Disc/White Seat
2"	2-400-001500	2-400-003501
3"	3-400-001500	3-400-003501
4"	4-400-001500	4-400-003501
4" TTMA Drilled	4A-400-001500	4A-400-003501
5"	5-400-001500	5-400-003501
6"	6-400-001500	6-400-003501

Section C
Dry Bulk Trailer Parts

390 Series Cast iron body Teflon disc, Teflon seat

Valve Size	Teflon Disc/Teflon Seat
2"	2-390-499-F516
3"	3-390-499-F516

**AL-BFLY, P2855 SERIES 2" - 6"
REPAIR PARTS LIST**

STEM KITS				
Top Stem Kit	86155-JT	86155-LT	86155-NT	86155-RT
Bottom Stem Kit	86155-JB	86155-LB	86155-NB	86155-RB

<i>Trade Designation</i>	REPLACEMENT SLEEVES (LINERS)			
Hydrin (Black)	79163-JH	79163-LH	79163-NH	79163-RH
EPDM (Black)	79163-JE	79163-LE	79163-NE	79163-RE

Section C
Dry Bulk Trailer Parts