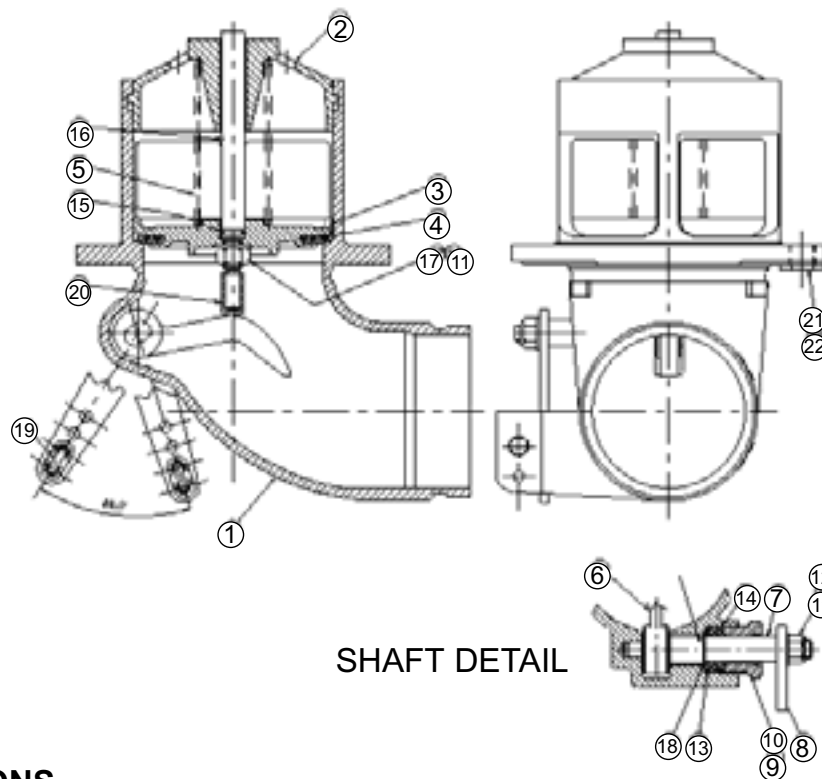


F7000 & F7001

4" High Flow Emergency Valve, Mechanical



SHAFT DETAIL

SPECIFICATIONS

Ref	Description	F7000041	F7001041	Qty
1	Body	670535	670530	1
2	Cap	619511	619511	1
3	Poppet	619513	619513	1
4	Seal Disc	615992	615992	1
5	Spring	577264	577264	1
6	Cam	619516	619516	1
7	Cam Spindle	670557	670557	1
8	Lever	619533	619533	1
9	Gland Nut	670560	670560	1
10	O-Ring Buna	670569	670569	1
11	M12 Nyloc Nut	618841	618841	2
12	Plain Washer	599007	599007	1
13	Packing Support Washer	670561	670561	1
14	Gland Packing	407804	407804	2
15	O-Ring	603653	603653	1
16	Poppet Stem	619514	619514	1
17	Shakeproof Washer	619532	619532	1
18	Retaining Ring	670570	670570	1
19	U - Bolt	452710	452710	1
20	Poppet Stem Boot	619515	619515	1
21	Sealing Ring Nylon	670545	670545	1
22	Blanking Plug	670544	670544	1