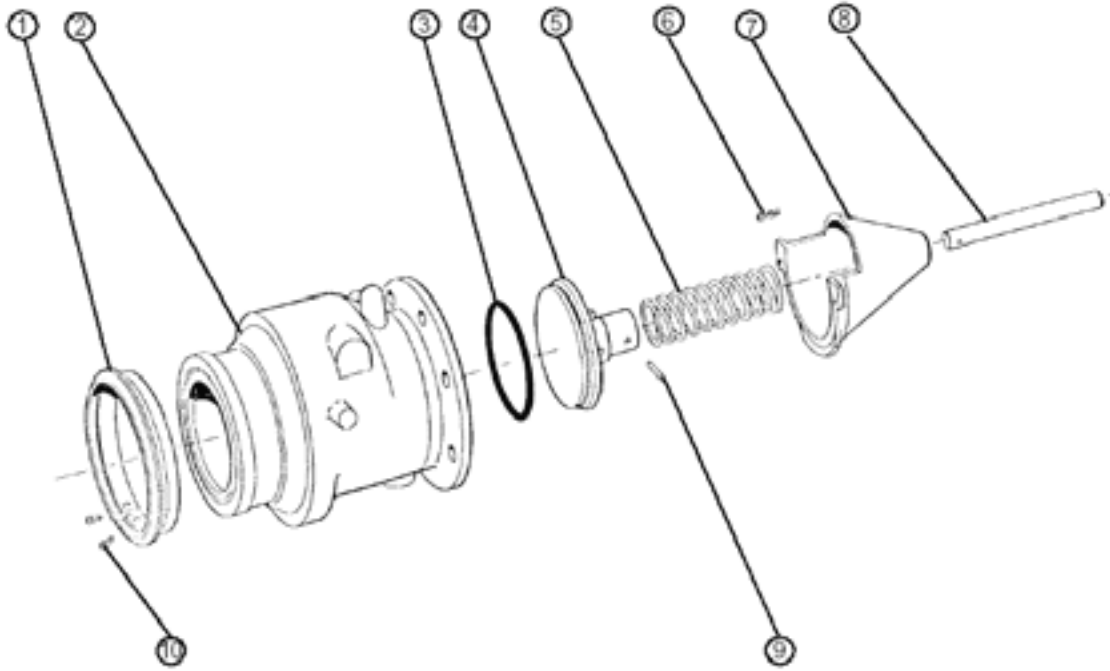


F5000

4" API Adapter, Non-Openable

DESCRIPTION AND PART NUMBERS



REF	DESCRIPTION	PART NO. F5000-001 VITON	PART NO. F5000-002 PTFE	QTY
1	Nose Ring	619323	619323	1
2	Body	619351	619351	1
3	O-Ring	850027	619410	1
4	Poppet	619348	619348	1
5	Spring	619454	619454	1
6	Hair Pin Clip	560489	560489	2
7	Cone	619308	619308	1
8	Stem	619309	619309	1
9	Roll Pin	619311	619311	1
10	Screw M5 C'sk	619370	619370	2

REPAIR KITS

Nose Ring Kit	619506
Spares Kit	619504
Inlet Gasket	603672
Handle Kit	619636
Sight Glass Kit	619499
Poppet Seal Kit	619927

As a part of a continuous commitment to product development the company reserves the right to alter the specification of its products without prior notice