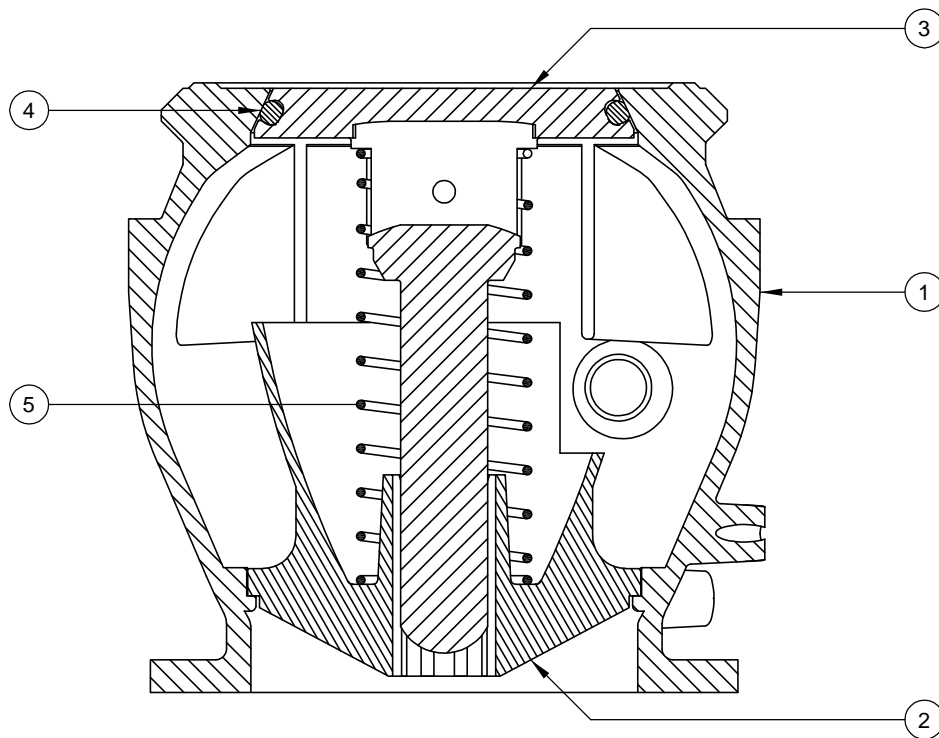
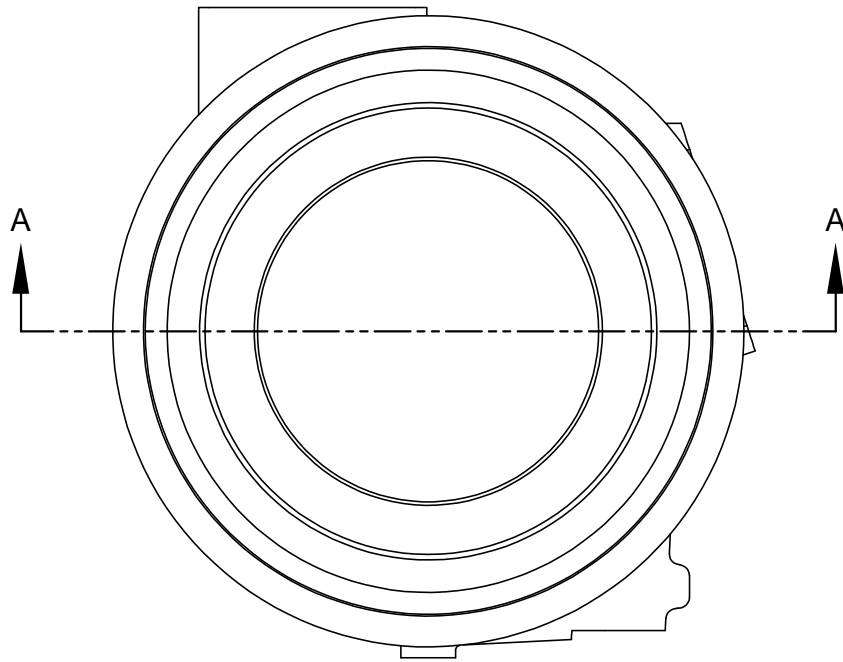


897N BOTTOM LOADING ADAPTOR



SECTION A-A

ITEM	PART NUMBER	DESCRIPTION	QTY.
1	E51838A	BODY	1
2	E51507M	DEFLECTOR	1
3	E10004A	POPPET	1

ITEM	PART NUMBER	DESCRIPTION	QTY.
4	H20058M	O-RING (VITON)	1
5	H20178M	SPRING	1